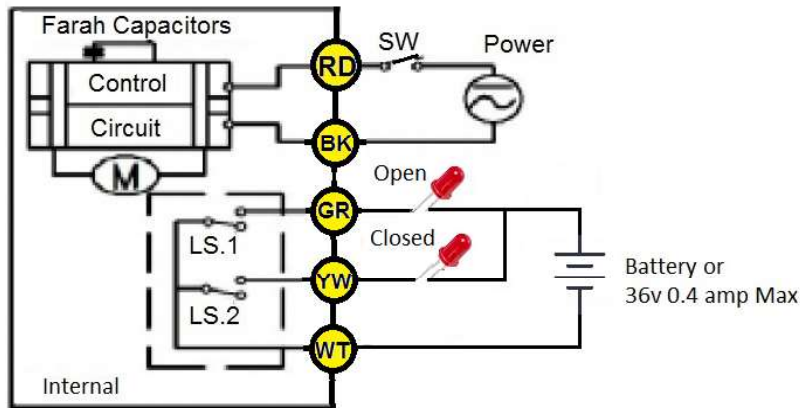


### Failsafe ABVM/AR Actuator



Power to move / failsafe return 2 wire + feed back 3 wire

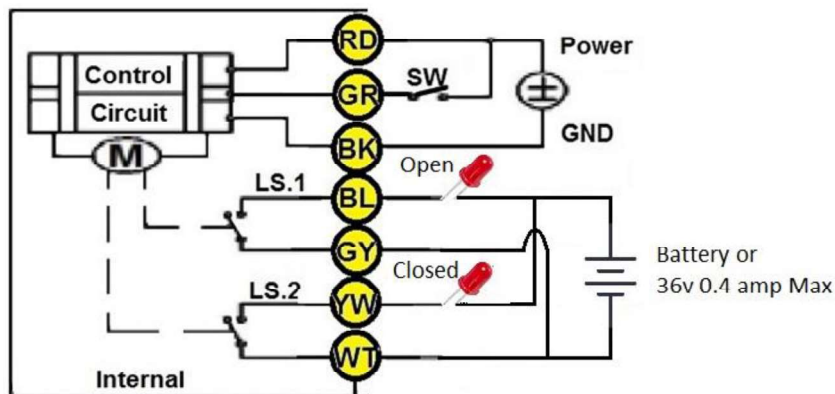
Power ON will OPEN - Power OFF will automatically CLOSE with reserve power. (ABVM/9AR + ABVM/2AR)

E2 Position Switches = Position FULLY OPEN or FULLY CLOSED.  
(no voltage supplied from actuator).

Supply power to WHITE (36VDC 0.4 Amp Max),

Fully Open signal from GREEN + Fully Closed signal from YELLOW

### Power Open/Close ABVM Actuator



Power Open/Power Close 3 wire + feed back 4 wire

Power supply +ve to Red wire and -ve to Black wire,  
connect GREEN wire to RED wire valve opens, disconnect Green wire valve will close.

E2 Position Switches = Position FULLY OPEN or FULLY CLOSED. (no voltage supplied from actuator).

Supply power to WHITE + GREY (36VDC 0.4 Amp Max),

Fully Open signal from BLUE + Fully Closed signal from YELLOW