

Diaphragm Type Direct-Activated Pressure Reducing Valve



▲ Stainless Steel Materials

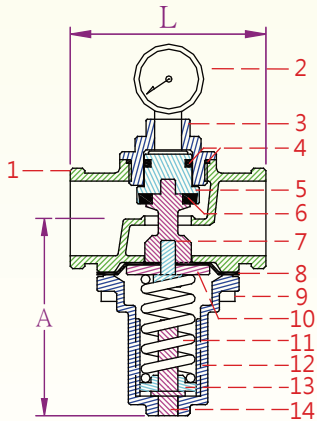
- ★ Pressure Adjusting Range : 1 kgf/cm² ~ 3 kgf/cm²
2 kgf/cm² ~ 5 kgf/cm²
4 kgf/cm² ~ 9 kgf/cm²
- ★ Applied Temperature : -15 °C ~ 80 °C
- ★ Applied Condition : Water .
- ▼ Maximum Working Pressure : 12kgf/cm²
- ▼ Valve Body Testing Pressure : 21kgf/cm²
- ★ Pressure gauge is optional product

Size	A	L	Cv
1/2"	70	60	2.5
3/4"	70	70	4.0
1"	80	80	6.5
1 1/4"	85	90	10.0
1 1/2"	110	110	13.0
2"	115	115	17.0
2 1/2"	180	150	28.0

Model : RDT
(Threaded)

Unit: mm

★ 2 1/2" Only Bronze Materials



No.	Part Name	Material	
1	Main Body	Bronze	SS304
2	Pressure Gauge	-----	-----
3	Upper Cover	Bronze	SS304
4	O-ring	NBR	NBR
5	Piston	Brass	SS304
6	Sealing Spacer	NBR	NBR
7	Shaft	Brass	SS304

8	Diaphragm	EPDM
9	Fixed Bolt	SS304
10	Washer	electroplated Iron
11	Spring	Spring Steel
12	Spring Cover	Polyamide 66
13	Washer	Brass
14	Adjusting Stem	Brass

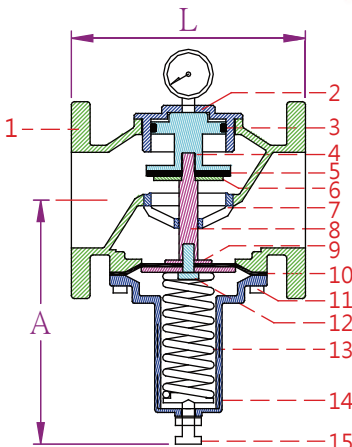


- ★ Pressure Adjusting Range : 1 kgf/cm² ~ 5 kgf/cm²
3 kgf/cm² ~ 8 kgf/cm²
- ★ Applied Temperature : -15 °C ~ 80 °C
- ★ Applied Condition : Water.
- ▼ Maximum Working Pressure : 12kgf/cm²
- ▼ Valve Body Testing Pressure : 21kgf/cm²
- 2" Spring cover is Polyamide Materials (Black)

Model : RDF
(Flange)

Size	A	L	Cv
2"	150	190	17
2 1/2"	165	210	28
3"	200	225	60
4"	220	250	80

Unit: mm



No.	Part Name	Material	
1	Main Body	Cast Iron	Bronze
2	Upper Cover	Bronze	Bronze
3	U-ring	NBR	NBR
4	Piston	Bronze	Bronze
5	Sealing Spacer	NBR	NBR
6	Washer	Brass	SS 304
7	Sealing	Bronze	Bronze

8	Shaft	Bronze	Bronze
9	Washer	electroplated iron	electroplated iron
10	Diaphragm	EPDM	EPDM
11	Fixed Bolt	SS 304	SS 304
12	Fixed Bolt	SS 304	SS 304
13	Spring	Spring Steel	Spring Steel
14	Spring Cover	Cast Iron	Cast Iron
15	Adjusting Bolt	SS 304	SS 304