

Media: air – water  
 Pressure: Inlet 10 Bar max  
 Pressure: Outlet 0.2 to 1.5 Bar  
 Media temperature: -15°C to +80°C max  
 Ambient temperature: +80°C max  
 Media viscosity: 40 centistokes max  
 Mounting: Gauge upright, stem down

## Low Pressure Reducing Valve 1/2 – 2" DN15-50 316 STAINLESS STEEL DIRECT ACTING 0.2 – 1.5 Bar TYPE RELT / RELF



### PRESSURE

Ø Port BSP	Flow Kv L/min	Pressure Rating (Bar)			Part Number
		Max Inlet (Bar)	Adjustable Pressure Reducing Range		
			Minimum	Maximum	
1/2	20.59	10	0.2	1.5	RELT15S + seal
3/4	76.93	10	0.2	1.5	RELT20S + seal
1	94.09	10	0.2	1.5	RELT25S + seal
1 1/2	179.75	10	0.2	1.5	RELT40S + seal
2	213.92	10	0.2	1.5	RELT50S + seal

### Ø Port Flange PN16

DN15	20.59	10	0.2	1.5	RELF15S + seal
DN20	76.93	10	0.2	1.5	RELF20S + seal
DN25	94.09	10	0.2	1.5	RELF25S + seal
DN32	179.75	10	0.2	1.5	RELF32S + seal
DN40	213.92	10	0.2	1.5	RELF40S + seal
DN50	20.59	10	0.2	1.5	RELF50S + seal

### OPTIONS

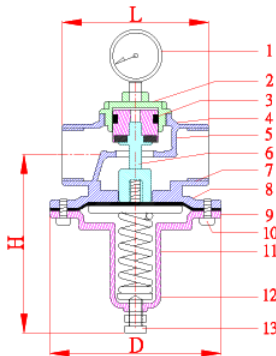
Pressure Gauge (316 Stainless steel) displays outlet pressure  
 NPT or Rc thread, ANSI150Lb or JIS10K flange  
 Other custom made PTFE , EPDM seal, media and pressure options available upon request

### CONSTRUCTION

Body, Piston & shaft: 316 stainless steel, Seals: NBR or Viton, Spring: steel, Fixing bolts and adjusting stem: 304 stainless steel  
 Test Pressure: 16 Bar

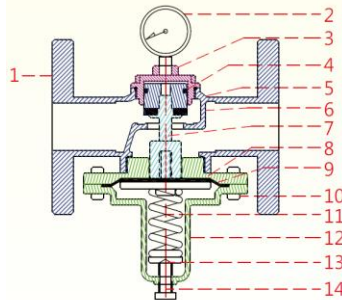
### OVERALL DIMENSIONS

NO	Part Name	Material
1	Gauge	Stainless Steel
2	Upper cover	Stainless Steel 316
3	U-Ring	Viton or EPDM
4	Piston	Stainless Steel 316
5	Sealing spacer	NBR or Viton
6	Shaft	Stainless Steel 316
7	Main body	Stainless Steel 316
8	Diaphragm	NBR or Viton
9	Lower cover	Stainless Steel 316
10	Fixed bolt	Stainless Steel 304
11	Spring	Spring steel
12	Washer	Brass
13	Adjusting stem	Stainless Steel 304



Part No:	Port	H mm	L mm	D	Kg
RELT15	1/2	110	70	105	1.3
RELT20	3/4	125	85	105	1.5
RELT25	1	125	90	105	1.6
RELT40	1 1/2	155	115	145	3
RELT50	2	155	120	145	4

NO	Part Name	Material
1	Main Body	Stainless Steel 316
2	Gauge	Stainless Steel
3	Upper cover	Stainless Steel 316
4	U-Ring	Viton or EPDM
5	Piston	Stainless Steel 316
6	Sealing spacer	NBR or Viton
7	Shaft	Stainless Steel 316
8	Diaphragm disc	Stainless Steel 316
9	Diaphragm	NBR or Viton
10	Fixed bolt	Stainless Steel 304
11	Spring	Spring steel
12	Lower cover	Stainless Steel 316
13	Washer	Brass
14	Adjusting stem	Stainless Steel 304



Part No:	Port	H mm	L mm	Kg
RELF15	DN15	110	150	2.5
RELF20	DN20	125	150	3.5
RELF25	DN25	125	150	5.6
RELF40	DN40	155	190	8.7
RELF50	DN50	155	190	13.5