

Features

1. Quick response.
2. Stainless steel stem provides exceptional durability.
3. Flange type is available for JIS 10K, ANSI 150LB and PN16.
4. Ex-proof coil T4 as optional accessory, please refer to page 5-9.
5. Timer for setting on/off time as optional accessory.
6. CE conformity for all series.
7. Coil nut is available, please refer to page 5-3.



How to order

PU220A	N	V	F	-	03	N	-	S1	L	E
Brass	Acting style	Diaphragm	Flange type	Port size	Thread	Voltage	Led	Ex-Proof coil		
Assisted lift	Blank: Normally closed N : Normally open	Blank: NBR V : VITON E : EPDM H : HNBR	F : 10K F3: 150LB F4: PN16 only for A series	03: 3/8" 04: 1/2" 06: 3/4" 08: 1"	Blank: G N : NPT R : Rc	S1: 110VAC S2: 220VAC S6: 24VAC S7: 12VDC S9: 24VDC	Blank: W/O LED L : W/I LED	Blank: Standard E: EX-proof coil		

Specifications

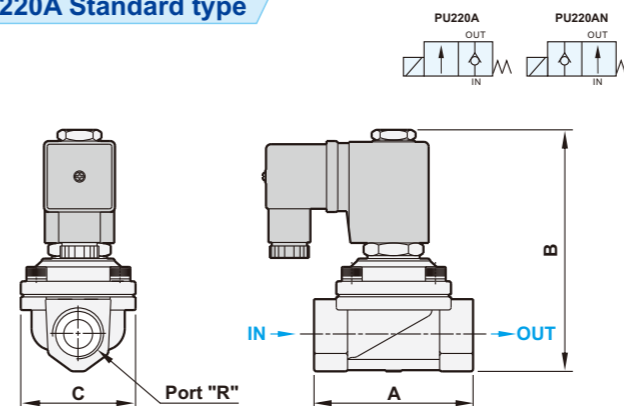
Model	PU220A-03	PU220A-04	PU220A-06	PU220A-08
Port size	3/8"	1/2"	3/4"	1"
Fluid	Compressed air (light oil, water)			
Orifice	13mm	13mm	20mm	25mm
Effective area	76mm ²	76mm ²	162mm ²	220mm ²
Acting	Assisted lift			
Construction	Diaphragm			
Operating pressure range AC	0 ~ 7 kgf/cm ²			
Operating pressure range DC	0 ~ 6 kgf/cm ²		0 ~ 5 kgf/cm ²	
Proof pressure	10 kgf/cm ²			
Body material / Flange material	Forged Brass / Steel			
Fluid temperature	-10°C ~ 90°C			
Ambient temperature	-10°C ~ 60°C			
Installation	Horizontal			
Duty cycle	100% ED			
Coil type	DIN			
Protection class	IP65 (DIN 40 050)			
Insulation class	F			
Voltage tolerance	±10%			
Standard voltage	220VAC, 110VAC, 24VDC, the other voltage is optional			
Power consumption	AC110V: 17.6VA, AC220V: 18.1VA, DC: 15W			
Net weight	740g	740g	945g	1485g

Seal material selection guide

Seal	Temperature range	Suitable fluid	Unsuitable fluid
NBR	-15°C ~ 80°C	Air, Water, Neutral gases, Mineral oil	Fuel oil, Gasoline and Hi-test gasoline, Diesel fuel
HNBR	-40°C ~ 150°C	Air, Water, Gear oil, Engine oil	Pharmaceutical liquid, Gasoline and Hi-test gasoline, Light oil
VITON	-10°C ~ 180°C	Fuel oil, Gasoline and Hi-test gasoline, Diesel fuel	Hot water, Steam, Brake oil (ATE Blue)
EPDM	-5°C ~ 130°C	Hot water, Detergent liquid	Mineral oil, Gasoline

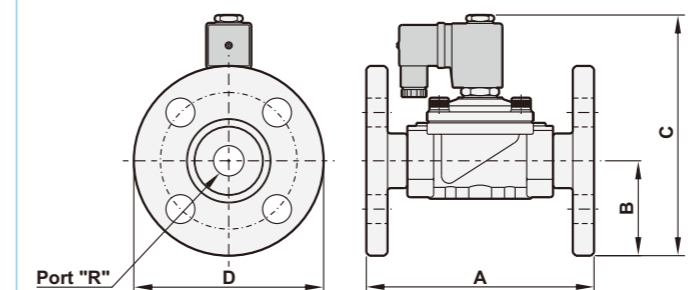
Dimensions

PU220A Standard type



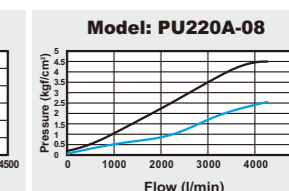
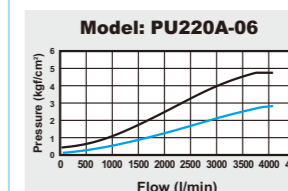
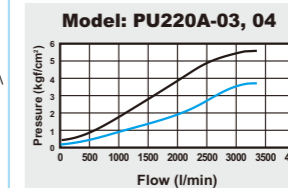
Model	PU220A-03	PU220A-04	PU220A-06	PU220A-08
R	3/8"	1/2"	3/4"	1"
A	66.5	66.5	71	96
B	101	101	107	120.5
C	48	48	58	70.7

PU220A Flange type (10K)



Model	PU220AF-03	PU220AF-04	PU220AF-06	PU220AF-08
R	3/8"	1/2"	3/4"	1"
A	110	110	120	150
B	45	47.5	50	62.5
C	130.5	133	138.5	158.5
D	90	95	100	125

Flow chart



Explosion

