

Media: air – water – gases – liquid
 Pressure range: 0 to 10 Bar max
 Media temperature: -15°C +100°C max
 Ambient temperature: -15°C to +50°C
 Media viscosity: 500 centistokes max
 Duty cycle: 100,000
 Mounting: Any
 Seals: PTFE

Actuated Ball Valve

1/2 – 1
STANDARD + FAILSAFE
2 WAY DIRECT
 0 – 10 Bar
TYPE ABVM/AR



PRESSURE

Ø Port BSP	Orifice mm	Operating Time Seconds	Pressure Rating (Bar) ΔP		Voltage	Part Number
			Min	Max		
1/2	15	5	0	10	9 to 24v AC or DC	ABVM04S/9 + option
					110 to 240vAC	ABVM04S/2 + option
3/4	20	5	0	10	9 to 24v AC or DC	ABVM06S/9 + option
					110 to 240vAC	ABVM06S/2 + option
1	25	5	0	10	9 to 24v AC or DC	ABVM08S/9 + option
					110 to 240vAC	ABVM08S/2 + option

OPTIONS

Visual Position Indication, Failsafe Closed (+AR), Failsafe Open (+AR-NO)
 Manual Over Ride (Lift + Turn +MO) 9-24 volt only.
 3 wire control (power open and power closed)
 Fully Open and fully closed position volt free feedback switches (+E2) (Max voltage 36 volt or 240 volt according to rated drive voltage)
 316 Stainless, 3 piece, 3 way & Brass Ball Valves or 1.5mtr lead wire or more

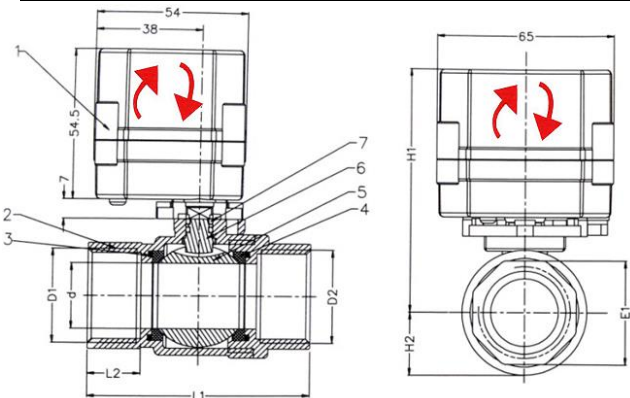
ELECTRICAL DATA

Voltage Min - Max Continuous Duty 100%	Actuator		Power		Enclosure	Electrical connections
	Model	Torque	Moving	Holding		
9 to 24 volts AC 50/60Hz or DC	ABVM	2 Nm	5 Watts	0.22 Watts	IP67	0.5 meter lead wires
110 to 240 volts AC 50/60Hz				0.6 Watts		

CONSTRUCTION

Valve Body: 304 stainless steel static test pressure 35 Bar.
 Seals: Stem 2x FKM, Ball WRAS PTFE Floating no leakage design
 ABVM Actuator: ABS Engineering Plastic, Gears: Metal, Function test 200 cycles Open/Close

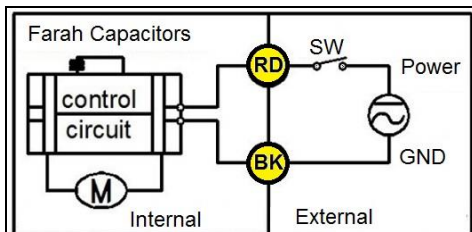
OVERALL DIMENSIONS



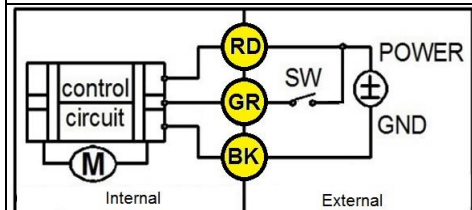
Port D1/D2	d	L1	L2	E1	H1	H2	Kg
1/2	15	63	14	25	83	17	0.4
3/4	20	72	17	31	87	20	0.5
1	25	81	18	38	95	24	0.6

Reference	Description	Material
1	Actuator	ABS
2	Body Cover	SS304
3	O Ring	FKM
4	Sealing	PTFE
5	Ball	SS304
6	Stem	SS304
7	O Ring	FKM

Requires 10-15 seconds (Out of the box) first Power On, thereafter a minimum 6-10 seconds power ON to recharge the Farah capacitor reserve power.



Failsafe Control.
 Power ON motor actuates valve into powered position and then automatically powers off. Valve stays in powered position.
 Power OFF motor actuates valve back to start position using reserve power. Valve stays in start position.



3 Wire Control
 Power ON to GREEN motor actuates valve into powered position and then automatically powers off. Valve stays in powered position.
 Power OFF to GREEN motor actuates valve back to start position and then automatically powers off. Valve stays in start position.

With Position Feed Back Switches

