

Media: air – water – gases – liquid
 Pressure range: 0 to 10 Bar max
 Media temperature: -15°C +100°C max
 Ambient temperature: -15°C to +50°C
 Media viscosity: 500 centistokes max
 Duty cycle: 70,000
 Mounting: Any
 Seals: PTFE
 Open/Close Time: 7 Seconds

Actuated Ball Valve

1/2 – 1
 TIME CONTROL
 2 WAY DIRECT
 0 – 10 Bar
 TYPE TABVM



PRESSURE

Ø Port BSP	Orifice mm	Open - Close Time	Pressure Rating (Bar) ΔP		Voltage	Part Number
			Min	Max		
1/2	15	Open 0 to 99 Hr 59 Min 59 Sec	0	10	9 to 24v AC or DC	TABVM04S/9
					110 to 240vAC	TABVM04S/2
3/4	20	Closed 0 to 99 Hr 59 Min 59 Sec	0	10	9 to 24v AC or DC	TABVM06S/9
					110 to 240vAC	TABVM06S/2
1	25	Closed 0 to 99 Hr 59 Min 59 Sec	0	10	9 to 24v AC or DC	TABVM08S/9
					110 to 240vAC	TABVM08S/2

OPTIONS

Visual Position Indication
 Digital readout Time OPEN / Time CLOSED, Programmable start OPEN or start CLOSED
 316 Stainless, 3 piece, 3 way & Brass Ball Valves or 1.5mtr lead wire or more

Included
 Included
 TBA

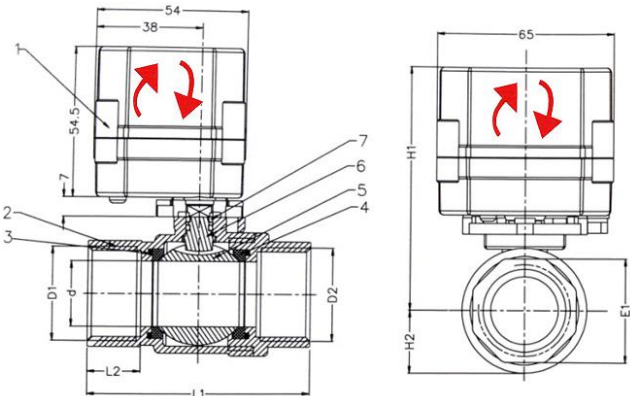
ELECTRICAL DATA

Voltage Min - Max Continuous Duty 100%	Actuator		Power		Enclosure	Electrical connections
	Model	Torque	Moving	Holding		
9 to 24 volts AC 50/60Hz or DC	TABVM	2 Nm	5 Watts	0.22 Watts	IP67	0.5 meter lead wires
110 to 240 volts AC 50/60Hz				0.6 Watts		

CONSTRUCTION

Valve Body: 304 stainless steel static test pressure 35 Bar.
 Seals: Stem 2x FKM, Ball WRAS PTFE Floating no leakage design
 TABVM Actuator: ABS Engineering Plastic, Gears: Metal, Function test 200 cycles Open/Close

OVERALL DIMENSIONS



Port D1/D2	d	L1	L2	E1	H1	H2	Kg
1/2	15	63	14	25	83	17	0.4
3/4	20	72	17	31	87	20	0.5
1	25	81	18	38	95	24	0.6

Reference	Description	Material
1	Actuator	ABS
2	Body Cover	SS304
3	O Ring	FKM
4	Sealing	PTFE
5	Ball	SS304
6	Stem	SS304
7	O Ring	FKM

Set Valve Open Time:

Requires electrical power to Valve

Press and hold SET button 1 for 5 seconds displays **t On** valve open time

- Press button 2 change 10 hour increment with button 3
- Press button 2 change 1 hour increment with button 3
- Press button 2 change 10 minute increment with button 3
- Press button 2 change 1 minute increment with button 3
- Press button 2 new screen change 10 second increment with button 3
- Press button 2 change 1 second increment with button 3
- To set close button press set button 1, follow below from*

Set Valve Closed Time:

Requires electrical power to Valve

Press SET button 1 for 5 seconds displays **t OFF** valve closed time

- *Press button 2 change 10 hour increment with button 3
- Press button 2 change 1 hour increment with button 3
- Press button 2 change 10 minute increment with button 3
- Press button 2 change 1 minute increment with button 3
- Press button 2 new screen change 10 second increment with button 3
- Press button 2 change 1 second increment with button 3
- To set open press button 1 set button until **t On** displayed



Change Valve Start Position: Valve Closed or Valve Open

Requires electrical power to Valve
 Press SET button1 for 5 seconds

- Press set button through menu **t On**, **t OFF**, **Pons** is displayed
- Press button 3 Change
- Start **On** (Valve Open)
- OR
- Start **OFF** (Valve Closed)

Prot = Stall current setting milliAmps, when current exceeds set value motor stops and display shows Err code.