

# Installation, Operation & Maintenance



ISO9001:2015  
Certificate UK/14/0505020984

## Basic Actuators - Covering All Models

Thank you for purchasing the CNX range of electric quarter turn actuators.

Please follow the basic instructions on how to use your product to ensure that the product's 12 month warranty is not void. The following points cover the Basic series for On Off and Failsafe functions whilst the reverse of this document covers the Smart series for On Off, Failsafe, Modulating, Modulating Failsafe and so on.

For more detailed documentation relating to your CNX actuator, please contact the Customer Support Team on +44(0)1454 334 990 or email [sales@solenoid-valves.com](mailto:sales@solenoid-valves.com)



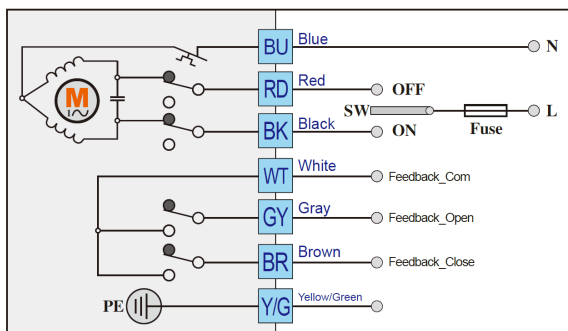
CNX20 Basic

## Basic Actuators

The following is a general guide to what you can and cannot do with the actuator and should be followed for safe use of your actuator and to ensure the warranty of the product (12 months) is not in any invalidated:

- **Your actuator does not require you to remove the cover at any point. Removing the cover will invalidate the warranty.**
- If your actuator is pre wired. The cable should come as a cut flying lead but should you receive with our factory standard white PIN connector, please remove and terminate as required. This fitting is purely for our test panels to enable quick testing of product.
- Actuator, if not supplied with valve mounted, should be sized correctly to ensure valve (including safety factor) is covered by actuator torque output. Do **not** install 'upside down', vertical or horizontal installation is fine.
- Actuators are IP67 rated, please check online for full IP ratings and what IP67 is and isn't covered for.
- All actuators have manual override via mechanical override, Allen key is supplied with actuators as standard.
- Please check actuator technical datasheet for actuator current draw to size power supply correctly.
- If purchasing a Basic 20 failsafe actuator, note that your actuator has an internal capacitor. This means that when you first power your actuator you will need to allow an initial charge time for the actuator. This is typically around 20 seconds. After this period the actuator will operate as normal. On power loss or removing the live feed it will close using the capacitor.
- Actuators are **NOT ATEX** rated and are not designed for hazardous area use, only for safe area use.
- Refer to the actuators technical datasheet for maximum and minimum temperature ratings.

CNX20 Basic Wiring ON / OFF



CNX20 Basic Wiring Failsafe

