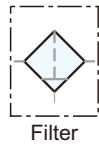


## Symbol



## Features

1. For high pressure use, corrosion and chemical resistance.
2. Good performance in chemically working environments and outdoor facility.
3. Suitable for semi-conductor industry.
4. The product effectively removes water and particle.
5. Strict quality control.



CE

## How to order

USF	B	—	02	N	C	H	W
Stainless Steel Filter	Pressure		Port size	Thread	Filtration	Drain	Bowl viewer
	Blank : 12~30kgf/cm <sup>2</sup> (for 1/4", 3/8", 1/2") 12~28kgf/cm <sup>2</sup> (for 3/4", 1") B : 0.5~12kgf/cm <sup>2</sup>		02 : 1/4" 03 : 3/8" 04 : 1/2" 06 : 3/4" 08 : 1"	Blank : G N : NPT R : Rc	Blank : 5μm C : 40μm	Blank : Semi-auto drain H : Manual drain D : Auto drain (Working pressure: 0.5~9.9 kgf/cm <sup>2</sup> )	Blank : W/O Viewer W : Viewer (for 3/4", 1") (See *Remark below)

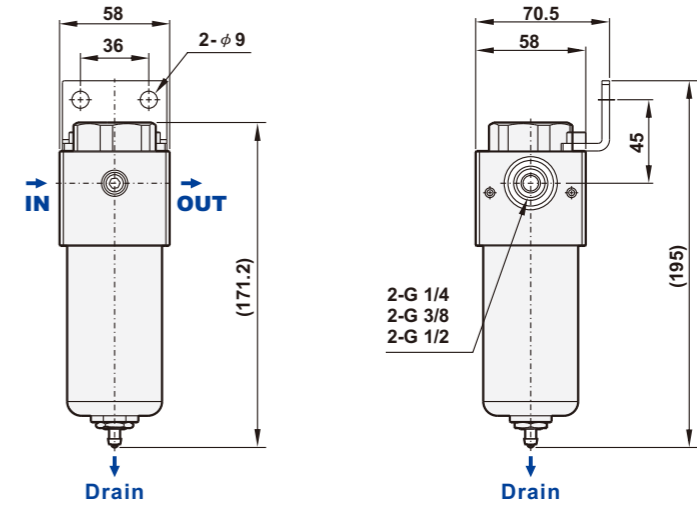
\* Remark: Only for USFB (0.5~12 kgf/cm<sup>2</sup>).

## Specifications

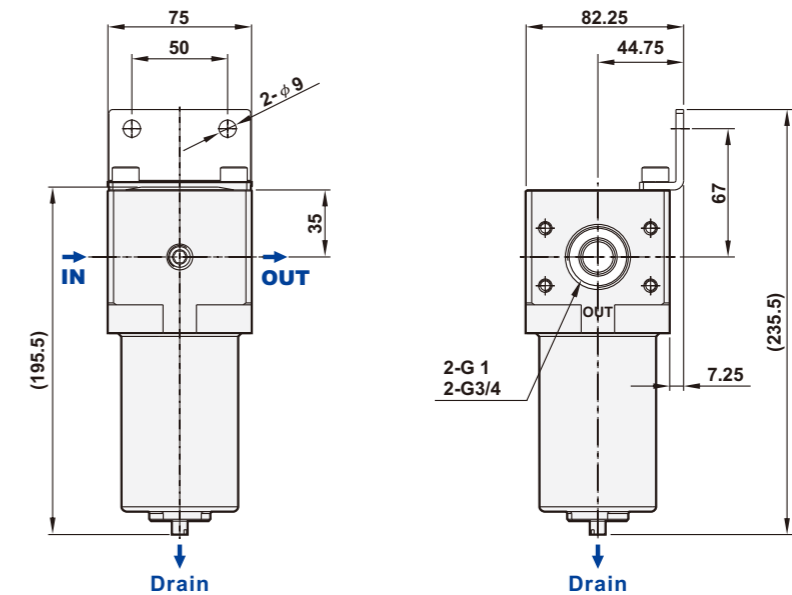
Model	USF-02	USF-03	USF-04	USF-06	USF-08
Port size	1/4"	3/8"	1/2"	3/4"	1"
Fluid	Compressed air				
Body material	Stainless steel SUS316				
Bowl material	Stainless steel SUS316				
Filter element material	Stainless steel SUS316				
Filtration	5μm (Standard), 40μm (Option)				
Operating pressure range	USFB: 0.5 ~ 12 kgf/cm <sup>2</sup> USF: 0.5 ~ 30 kgf/cm <sup>2</sup>			USFB: 0.5 ~ 12 kgf/cm <sup>2</sup> USF: 0.5 ~ 28 kgf/cm <sup>2</sup>	
Proof pressure	60 kgf/cm <sup>2</sup> (Bowl viewer: 15 kgf/cm <sup>2</sup> )				
Max. flow rate l/min (ANR)	2440	2450	3030	B9600/19200	
Ambient temperature	-10°C ~ 70°C				
Filter bowl capacity	110cc			200cc	
Standard drain	Semi-auto drain (Drains below 0.5kgf/cm <sup>2</sup> )				
Net weight	1650 g			3950 g	
Accessories	Mounting bracket set, Plug				

## Dimensions

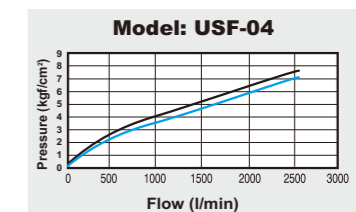
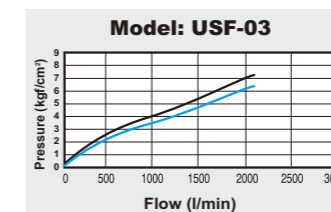
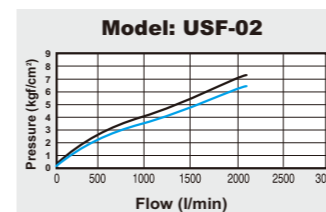
### USF-02, 03, 04



### USF-06, 08



## Flow chart



**Note:** X axis: Flow (l/min), Y axis: Pressure (kgf/cm<sup>2</sup>), Blue line (P0) = Outlet pressure, Black line (P1) = Inlet pressure, P1-P0= Pressure range