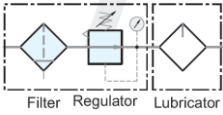


Media: air - Inert Gas
 Inlet Pressure: 25 Bar max
 Outlet Pressure: 0.5 to 20 Bar
 Media temp: -10°C to +60°C
 Ambient temp: -10°C to +60°C
 Mounting: Upright



Stainless F R L

1/4 Miniature Series

316 Stainless Steel

Manual – Semi Auto Drain

0.5 – 25 Bar

TYPE SSFRL02



PRESSURE

Ø Port BSP	Max Flow Air L/min @ 6Bar (ANR)	Max Inlet Pressure (Bar)	Outlet Pressure (Bar)		Combination	Part Number
			Min	Max		
1/4	1850	25	0.5	20	Filter/Regulator + Lubricator	SSFRL600-02
	1850	25	0.5	20	Filter / Regulator	SSFR500-02
	1900	25	0.5	25	Filter	SSF200-02
	1850	25	0.5	20	Regulator	SSR200-02
	2500	25	0.5	25	Lubricator	SSL200-02

OPTIONS

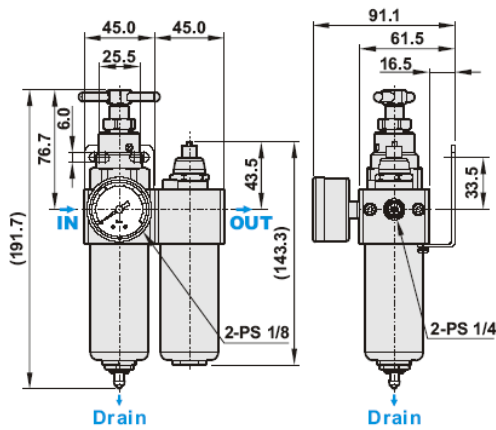
5 Micron SUS316 Filter Element, Semi-Automatic drain, Pressure Gauge, Plug, Mounting Bracket, Screws
 Manual Drain (H)
 40 Micron SUS316 Filter Element
 NPT or Rc Thread
 Non relieving (Relieving is standard)

CONSTRUCTION

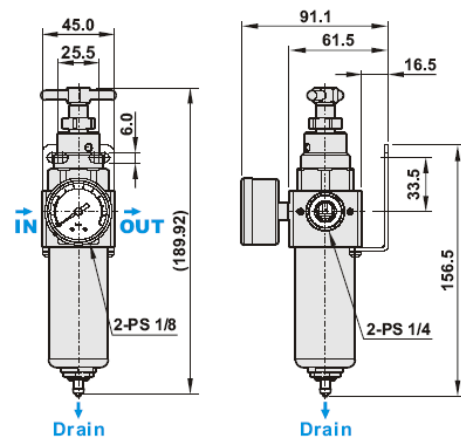
Body, Regulator, Filter (105cc) Lubricator (125cc), Filter Elements, Mounting Bracket, Blanking Plug: 316 Stainless Steel
 Pressure gauge: Case 304 Stainless Steel /Thread 316 Stainless Steel
 Test pressure: 30 Bar

OVERALL DIMENSIONS

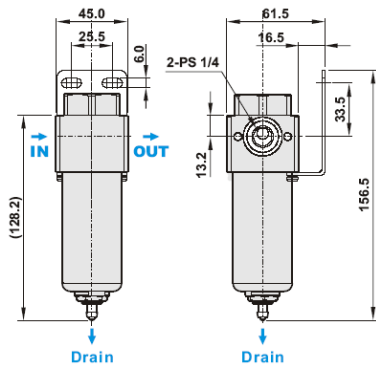
SSFRL600 (2.66Kg)



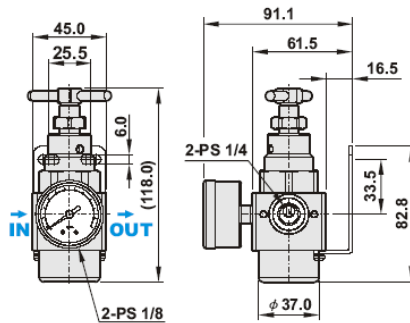
SSFR500 (1.38Kg)



SSF200 (1.2Kg)



SSR200 (1.2Kg)



SSL200 (1.2Kg)

