

Media: water + fluids
 Max inlet Pressure: 20 Bar Max
 Back Pressure Range: (0.5-4) or (2-8) Bar
 Media temperature: -15°C +80°C max
 Ambient temperature: -15°C to +60°C
 Media viscosity: 50 centistokes max
 Mounting: any position

Pressure Sustaining Valve

DN50 – DN300

Ductile Iron Epoxy Coated

PILOT ASSISTED

(0.5 – 4) or (2 – 8) Bar

TYPE BFS-DE



PRESSURE

Ø Port PN16	Ø Orifice (mm)	Flow Kv L/min	Max Inlet Pressure (Bar)	Part Number Pressure Sustaining Adjusting Range Options: (0.5 – 4) or (2 – 8) Bar
DN50	50	1072.5	20	BFS50DE + pressure range
DN65	65	1501.5	20	BFS65DE + pressure range
DN80	80	2002	20	BFS80DE + pressure range
DN100	100	3718	20	BFS100DE + pressure range
DN125	125	5577	20	BFS125DE + pressure range
DN150	150	7865	20	BFS150DE + pressure range
DN200	200	14300	20	BFS200DE + pressure range
DN250	250	22880	20	BFS250DE + pressure range
DN300	300	31460	20	BFS300DE + pressure range
DN350	350	42900	20	BFS350DE + pressure range
DN400	400		20	BFS400DE + pressure range

OPTIONS

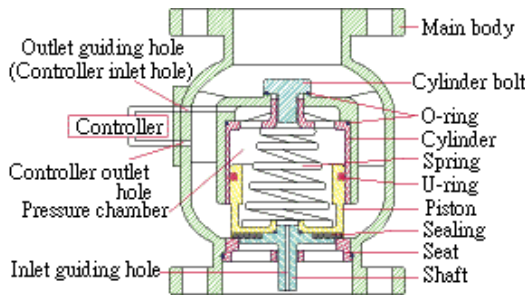
Pressure Regulator (Bronze)
 Pressure gauge (Displays back sustained Pressure)
 Pressure adjusting range (0.5 to 4 Bar) or (2 to 8 Bar)
 Other flange options JIS10K, JIS20K, ANSI150Lb, PN10, PN20
 Other custom-made sizes (up to 56"), other pressures and other media and seal options available upon request

REPAIR KIT

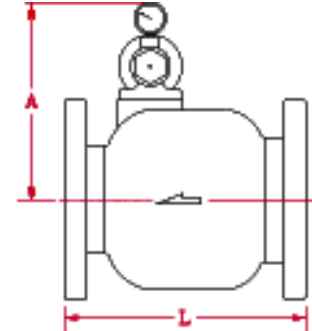
Piston U Ring	SP – Valve Part Number - U RING
Pressure Sustaining Controller	BFSB + pressure range

OVERALL DIMENSIONS

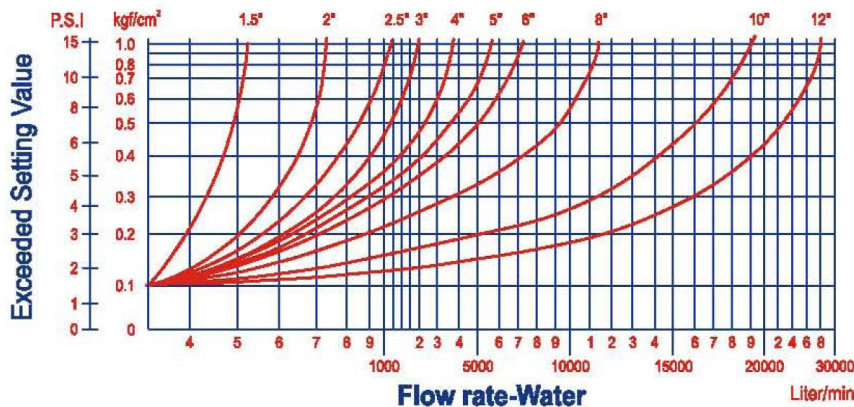
Pressure sustaining valve will maintain a set minimum back pressure regardless of downstream demand. If back pressure drops to minimum set level valve will begin to close to reduce flow to increase back pressure. When pressure increases above minimum set limit valve will slowly open again.



Materials + Pressure Spec.	
Main body	Ductile Iron Epoxy Coated
Cylinder bolt	Ductile Iron
O-Ring	NBR
Cylinder	Bronze
Spring	Stainless steel
U- ring	NBR
Piston	Bronze
Sealing	NBR
Seat	Bronze
Shaft	Bronze
Controller	Brass
Working	20 Bar
Test	32 Bar



Flow Chart of Pressure Sustaining Valve



Item	Dimensions (mm)		Kg
	L	A	
BFS50	190	180	12
BFS65	210	185	15
BFS80	225	200	18
BFS100	250	222	24
BFS125	280	235	32
BFS150	310	260	44
BFS200	420	300	87
BFS250	470	335	152
BFS300	530	370	202