

Media: air - water  
 Pressure range: 0 to 10 Bar max  
 Media temp: -15°C to +100°C max  
 Ambient temperature: -15°C to +50°C  
 Media viscosity: 500 centistokes max  
 Duty cycle: 100,000  
 Mounting: Any  
 Seals: PTFE + EPDM  
 WRAS certificate no: 2010303

# Actuated WRAS Ball Valve

1/4 – 1  
**STANDARD + FAILSAFE**  
 0 – 10 Bar  
**TYPE ABVM/AR**



### PRESSURE

| Ø Port BSP | Orifice mm | Operating Time Seconds | Pressure Rating (Bar) ΔP |     | Voltage           | Part Number          |
|------------|------------|------------------------|--------------------------|-----|-------------------|----------------------|
|            |            |                        | Min                      | Max |                   |                      |
| 1/4        | 8          | 5                      | 0                        | 10  | 9 to 24v AC or DC | ABVM02S/9AR + option |
|            |            |                        |                          |     | 110 to 240vAC     | ABVM02S/2AR + option |
| 3/8        | 10         | 5                      | 0                        | 10  | 9 to 24v AC or DC | ABVM03S/9AR + option |
|            |            |                        |                          |     | 110 to 240vAC     | ABVM03S/2AR + option |
| 1/2        | 15         | 5                      | 0                        | 10  | 9 to 24v AC or DC | ABVM04S/9AR + option |
|            |            |                        |                          |     | 110 to 240vAC     | ABVM04S/2AR + option |
| 3/4        | 20         | 5                      | 0                        | 10  | 9 to 24v AC or DC | ABVM06S/9AR + option |
|            |            |                        |                          |     | 110 to 240vAC     | ABVM06S/2AR + option |
| 1          | 25         | 5                      | 0                        | 10  | 9 to 24v AC or DC | ABVM08S/9AR + option |
|            |            |                        |                          |     | 110 to 240vAC     | ABVM08S/2AR + option |

### OPTIONS

Visual Position Indication, Failsafe Closed (+AR), Failsafe Open (+AR-NO)  
 Manual Override (Lift + Turn +MO) 9-24 volt only. (Not IP67)  
 3 wire control (power open and power closed)  
 Fully Open + Closed volt free position feedback switches (+E2), Rated 0 to 36vDC 0.4 Amp Max  
 Sun and rain protection cover  
 316 Stainless, PVC, 3-piece, 3 way & Brass Ball Valves, longer lead wire, different voltage and more

Included

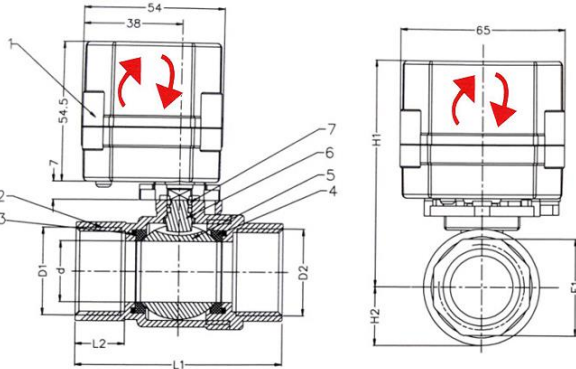
### ELECTRICAL DATA

| Voltage Min - Max<br>Continuous Duty 100% | Actuator |        | Power   |            | Enclosure | Electrical connections |
|---|----------|--------|---------|------------|-----------|------------------------|
|   | Model    | Torque | Moving  | Holding    |           |                        |
| 9 to 24 volts AC 50/60Hz or DC            | ABVM     | 2 Nm   | 5 Watts | 0.22 Watts | IP67      | 0.5 meter lead wires   |
| 110 to 240 volts AC 50/60Hz               |          |        |         | 0.6 Watts  |           |                        |

### CONSTRUCTION

Valve Body: 304 stainless steel static test pressure 35 Bar.  
 Seals: Stem 2x EPDM, Ball WRAS EPDM + PTFE Floating no leakage design  
 ABVM Actuator: ABS Engineering Plastic, Gears: Metal, Factory function test 200 cycles Open/Close

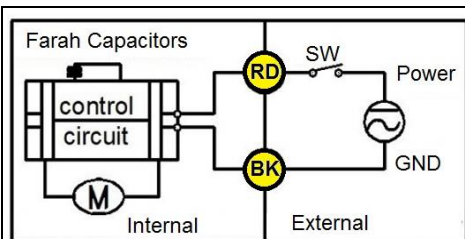
### OVERALL DIMENSIONS



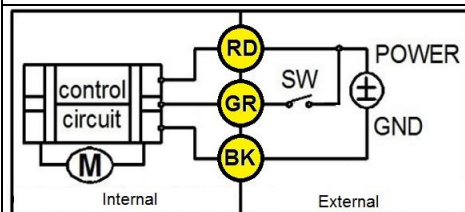
| Port D1/D2 | d  | L1 | L2 | E1   | H1 | H2 | Kg  |
|------------|----|----|----|------|----|----|-----|
| 1/4        | 8  | 49 | 12 | 20.5 | 69 | 12 | 0.3 |
| 3/8        | 10 | 49 | 12 | 20.5 | 69 | 12 | 0.4 |
| 1/2        | 15 | 63 | 14 | 25   | 83 | 17 | 0.4 |
| 3/4        | 20 | 72 | 17 | 31   | 87 | 20 | 0.5 |
| 1          | 25 | 81 | 18 | 38   | 95 | 24 | 0.7 |

| Ref | Description | Material  |
|-----|-------------|-----------|
| 1   | Actuator    | ABS       |
| 2   | Body Cover  | SS304     |
| 3   | O Ring      | EPDM      |
| 4   | Sealing     | PTFE/EPDM |
| 5   | Ball        | SS304     |
| 6   | Stem        | SS304     |
| 7   | O Ring      | EPDM      |

**Failsafe requires 10-15 seconds (Out of the box) first Power On, thereafter a minimum 6-10 second power ON to recharge the Farah capacitor reserve power.**



**Failsafe Control.**  
 Power ON motor actuates valve into powered position and then automatically powers off.  
 Valve stays in powered position.  
 Power OFF motor actuates valve back to start position using reserve power.  
 Valve stays in start position.



**3 Wire Control**  
 Power ON to GREEN motor actuates valve into powered position and then automatically powers off.  
 Valve stays in powered position.  
 Power OFF to GREEN motor actuates valve back to start position and then automatically powers off.  
 Valve stays in start position.

