

Media: air – water
 Pressure range: 0 to 10 Bar max
 Media temp: +1°C to +95°C max
 Ambient temperature: -15°C to +50°C
 Media viscosity: 500 centistokes max
 Duty cycle: 100,000
 Mounting: Any
 Seals: PTFE/ EPDM
 WRAS certificate no: 2010303
 Open or Close: 7 Seconds
 Delay time: 2 – 4 seconds

Actuated WRAS Ball Valve

1/4 – 1
 MODULATING
 2 WAY DIRECT
 0 – 10 Bar
 TYPE ABVM/9M



PRESSURE

Ø Port BSP	Orifice mm	Pressure Rating (Bar) ΔP		Voltage	Input Modulating Control Options	Position Feedback	Part Number
		Min	Max				
1/4	8	0	10	9-24vDC	4-20mA 0-10 Volt 0-5 Volt	PWM Option 4-20mA	ABVM02S/9M + option
3/8	10	0	10				ABVM03S/9M + option
1/2	15	0	10				ABVM04S/9M + option
3/4	20	0	10				ABVM06S/9M + option
1	25	0	10				ABVM08S/9M + option

OPTIONS

Visual Position Indication, Modulating control, PWM position feedback and error output signal
 Sun and rain protection cover
 Position Feedback 4-20mA
 316 Stainless, 3-piece, 3 way & Brass Ball Valves or 1.5mtr lead wire or more

Included

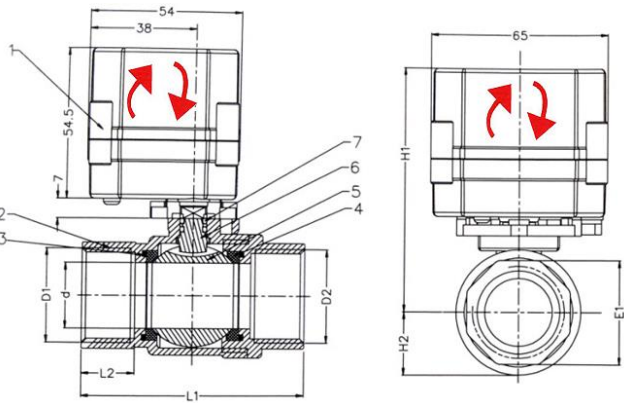
ELECTRICAL DATA

Voltage Min - Max Continuous Duty 100%	Actuator		Power		Enclosure	Electrical connections
	Model	Torque	Moving	Holding		
9-24vDC	ABVM/M	4 Nm	5 Watts	0.22 Watts	IP67	0.5 meter lead wires

CONSTRUCTION

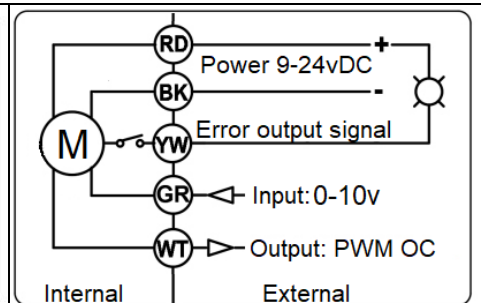
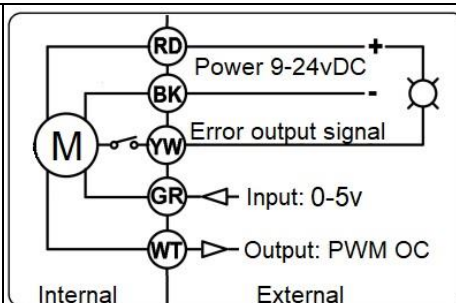
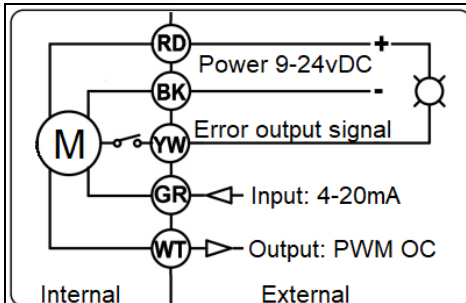
Valve Body: 304 stainless steel static test pressure 35 Bar.
 Seals: Stem 2x FKM, Ball WRAS PTFE Floating no leakage design
 ABVM Actuator: ABS Engineering Plastic, Gears: Metal, Factory function test 200 cycles Open/Close

OVERALL DIMENSIONS



Port D1/D2	d	L1	L2	E1	H1	H2	Kg
1/4	8	51	12	21	82	14	0.3
3/8	10	51	12	21	82	14	0.4
1/2	15	63	14	25	83	17	0.4
3/4	20	72	17	31	87	20	0.5
1	25	81	18	38	95	24	0.7

Reference	Description	Material
1	Actuator	ABS
2	Body Cover	SS304
3	O Ring	EPDM
4	Sealing	PTFE
5	Ball	SS304
6	Stem	SS304
7	O Ring	EPDM



4 to 20mA Modulating Control	0 to 5 Volt Modulating Control.	0 to 10 volt Modulating Control
Red connect 9-24vDC (+ve)	Red connect 9-24vDC (+ve)	Red connect 9-24vDC (+ve)
Black connect 9-24vDC and 4-20mA (-ve)	Black connect 9-24vDC and 0-5v (-ve)	Black connect 9-24vDC and 0-10v (-ve)
Green connect position Input 4-20mA (+ve)	Green connect position Input 0-5v (+ve)	Green connect position Input 0-10v (+ve)
Yellow connect LED light between (9-24v +ve) If LED ON = Error	Yellow connect LED light between (9-24v +ve) If LED ON = Error	Yellow connect LED light between (9-24v +ve) If LED ON = Error
White connect position feedback OC output PWM or 4-20mA signal	White connect position feedback OC output PWM or 4-20mA signal	White connect position feedback OC output PWM or 4-20mA signal
PWM frequency: 0-100Hz, duty 5-95%, adjustable switch angle 0-90°, Load 500mA.		Actuation delay time: 2 – 4 seconds