

Proximity and Mechanical Positions switches

Max media Temp: +180C (PTFE valve seals)

Position Switches + Modulating Controllers ASPV Angle Seat Piston Valves



Open Proximity Switch (PS)

Open proximity switch will detect Open position – for normally closed valve only.

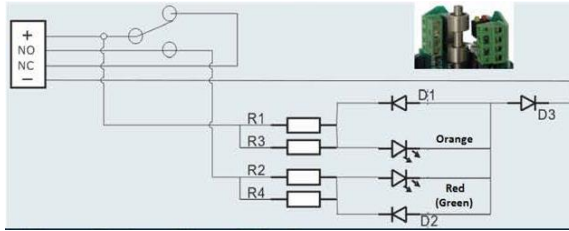
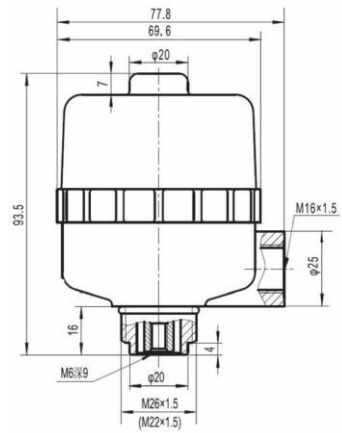
Sensing distance: 3mm (+/- 10%)
Supply voltage: 10 to 30vDC
Environmental temperature: -25°C to +70°C
Protection: IP67
Material: Brass nickel plated
Detection surface: ABS



Mechanical Open + Closed Position Switches (E2)

Open + Closed mechanical position feedback with LED, ideally for normally closed valves, can be used for N/Open + D/Acting valves.

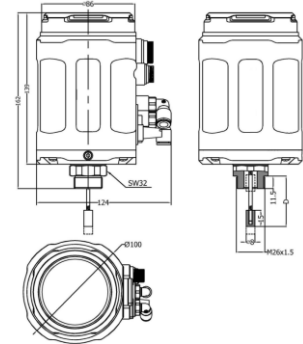
2x SPDT mechanical switches
LED (Green OPEN / Red CLOSED / Orange power ON)
Stroke range: 10–30mm (automatic adjustment)
Protection: IP65 Splash proof housing (rotates 360°)
Ambient Temp: -20°C to +60°C
Voltage: 12-18vDC
Power: 12vDC 0.11W, 24vDC 0.45W, 48vDC 1.8W
Cable gland: M16x1.5, PA (Cable 5 to 7mm)
Housing: ABS, Cover: PC, Seals: Buna N, External: Brass or Stainless steel



Intelligent Positioner M1

Valve stroke controller by input signal with automatic algorithm + PWM technology for fast reliable and accurate positioning.

LED indication: with remote + manual adjustment
Red = valve status, 10 Blue LED's each represents 10% of valve open position
Power supply: 24vDC +/- 10% (Switching >1A recommended)
Electrical connection: Aviation plug 4 PIN D standard (6-8mm cable)
Signal input: Analogue 4-20mA
Precision: +/- 0.2%
Power consumption: 5 Watts max
Stroke range: 5-25mm or 30-50mm
Ambient Temperature: -20°C to +55°C
Protection: IP65
Air pressure: 3 to 7 Bar (depending on actuator)
Air connection: G1/4 (8mm push fit)
Air quality: clean + dry to ISO 8573-1
Max particle density 10mg/m³, Max 40µ, Oil 25mg/m³
Max pressure dew point -20°C
Output flow: 18 or 36 L/Min



Intelligent Positioner M2

Compact valve stroke controller by input signal via micro processor for automatic + remote control

LED screen: with remote + manual adjustment
Power supply: 24vDC +/- 10%
Electrical connector: Aviation plug 4 PIN D standard (6-8mm cable)
Signal input: Analogue 4 to 20mA
Precision: +/- 0.1%
Stroke range: 5–25mm or 5-30mm
Ambient temperature: 0°C to +70°C
Protection: IP66 + ATEX: Ex na II C T1-T4
Air pressure: 3 to 7 Bar (depending on actuator)
Air connection: G1/4 (8mm push fit)
Air quality: clean + dry to ISO 8573-1
Max particle density 10mg/m³, Max 40µ, Oil 25mg/m³
Output flow: 18L/min at 6 Bar
Setting signal impedance: 120Ω
Installation: actuator upright

