

<b><u>COIL SIZE</u></b>		<b>COIL CODE - Exd</b>	<b>COIL CODE – Ex ia</b>
<b>I</b>	<b>14mm</b>	<b>37, 39,</b>	<b>---</b>
<b>II</b>	<b>18mm</b>	<b>37, 39, 87</b>	<b>---</b>
<b>III</b>	<b>14mm</b>	<b>37, 39, 87</b>	<b>66, 63, 64, 72, 73, 65CR</b>
<b>IV</b>	<b>14mm</b>	<b>37, 39, 87</b>	<b>62, 71L, 67L</b>
<b>III</b>	<b>13mm</b>	<b>--</b>	<b>71, 67</b>

# FLAMEPROOF / EXPLOSION PROOF SOLENOID WITH JUNCTIONAL BOX WITH / WITHOUT LED – Ex d– TYPE- 37 & 39

<u>APPROVALS</u>	Certification Body
INDIAN	KLPL
INDIAN	BIS
INDIAN	CCOE
INDIAN	DGMS
1. ATEX	CESI, ITALY
2. UL*	
3. INMETRO	CEPEL, BRASIL
4. GOST-R	CIS, THE NETHERLANDS
5. IEC Ex*	
6. GOST-K	CIS, THE NETHERLANDS
(* - Applied for)	



## FPJB SOLENOID

	Size ( – I / II / III / V)			
Cable Entry	AL – Enclo.	SS – Enclo.	AL – Enclo.	SS – Enclo.
	Without LED		With LED	
1/ 2 " NPT	37-01	37-CO	37LD	37LD-CO
M20 X 1.5	39-01	39-CO	39LD	39LD-CO

### Options :

Class H (All Sizes) : Insulation  
 FR (II & III) : Fully Rectified  
 LC (II & III) : Latch  
 MR(II & III) : Manual Reset  
 LW (II & III) : Low Watt

NAME PLATE DETAILS – for ATEX

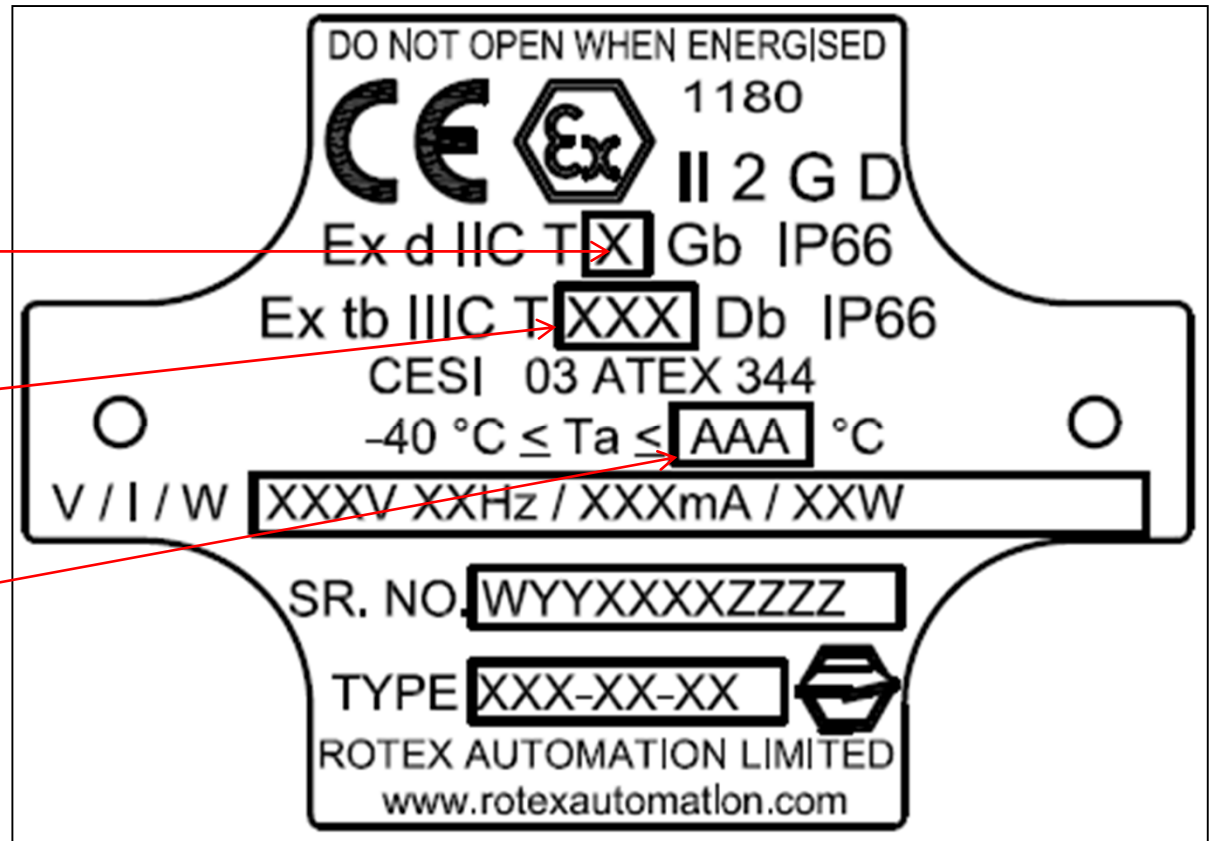
If requirement is T5 then marking shall be as following.

II 2GD Ex d IIC **T6**  
 or **T5**  
 or **T4** Gb

Ex tb IIIC **T80°C**  
 or **T95°C**  
 or **T130°C**

Db IP66

Tamb -40°C to **+35°C**  
 or **+50°C**  
 or **+60°C**



# FLAMEPROOF / EXPLOSION PROOF SOLENOID WITH JUNCTIONAL BOX WITH / WITHOUT LED – Ex d– TYPE- 37 & 39

## NAME PLATE DETAILS – for INDIAN LABEL



Coil Size	Max. Power	Max. Ambient Temp. °C			Max. AC Voltage	Max. DC Voltage
		T6 (80)	T5 (95)	T4 (130)		
I	5	65	70	-	240	48
	8	60	70	-	240	48
III	5	70	-	-	240	256
	8	60	70	-	440	256
	15	50	65	70	240	256
II	8	65	70	-	240	256
	10	60	70	-	240	256
	13	60	70	-	240	256
	20	55	70	-	240	256
	30	40	55	70	240	256
IV	5	70	-	-	240	256
	11	65	70	-	240	256

# APPLICABILITY OF LED OPTION WRT POWER

COIL TYPE – 37-LD & 39-LD (applicable to Indian & Export both)



LED will be provided to the wattages indicated in the table. This is applicable to all sizes. Voltages will be 6, 12, 24, 110, 230 AC / DC or DC.



Power in Watt	Ambient Temp. Range
≤ 2 W	- 25°C to 80°C
≤ 5 W	- 25°C to 65°C
≤ 8 W	- 25°C to 60°C
≤ 11 W	- 25°C to 60°C
≤ 15 W	- 25°C to 50°C
≤ 20 W	- 25°C to 40°C
≤ 30 W	- 25°C to 40°C

NAME PLATE DETAILS - INMETRO

ROTEX AUTOMATION LIMITED  
VADODARA-390 010 , INDIA

NÃO ABRA ENQUANTO ENERGIZADO

BR-Ex d IIC T<sub>X</sub> IP 66 T<sub>XXX</sub>°C

V/I/W XXXV XXHz / XXXmA / XXW

SR.NO. WYYXXXXZZZZ

SEGURANCA

INMETRO

CEPEL

TYPE XXX-XX-XX

CEPEL-Ex-1717/2008

-40 °C ≤ Ta ≤ 50°C

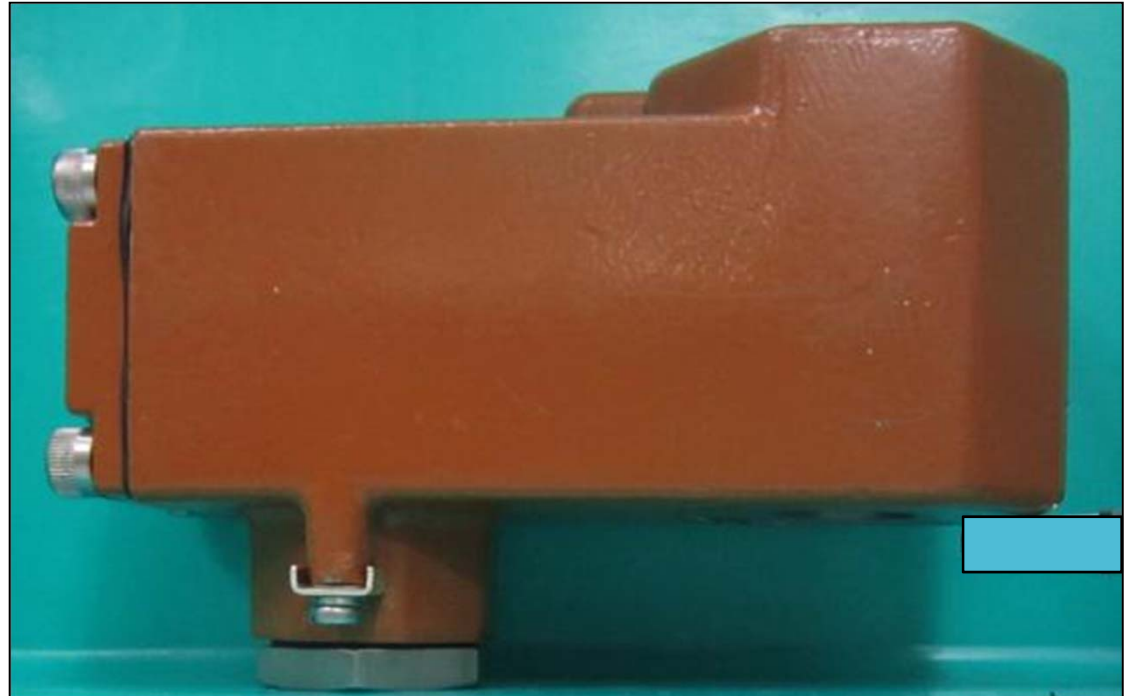
NAME PLATE DETAILS - GOST

PGT

ГБ06

ExdIICT6

APPROVALS	Certification Body
INDIAN	KLPL*
INDIAN	BIS*
INDIAN	CCOE*
INDIAN	DGMS*
1. ATEX	DNV, NORWAY
2. UL *	
3. INMETRO*	CEPEL, BRASIL
4. GOST-R	CIS, THE NETHERLANDS
5. IEC Ex	DNV, NORWAY
6. GOST-K	CIS, THE NETHERLANDS
(* - Applied for)	



## EXPLOSION PROOF SOLENOID WITH JUNCTION BOX

### Type-87 (Size-II/ III/ IV)

Cable Entry	AL – Enclo. (W/out LED)	AL – Enclo. - With LED	SS – Enclo. - W/out LED	SS – Enclo. - With LED
M25 X 1.5	87	87LD	87-CO	87LD-CO
1/ 2" NPT	87NS	87LD-NS	87NS-CO	87LD-NS-CO
M20 X 1.5	87MS	87LD-MS	87MS-CO	87LD-MS-CO
3/4" NPT	87NL	87LD-NL	87NL-CO	87LD-NL-CO

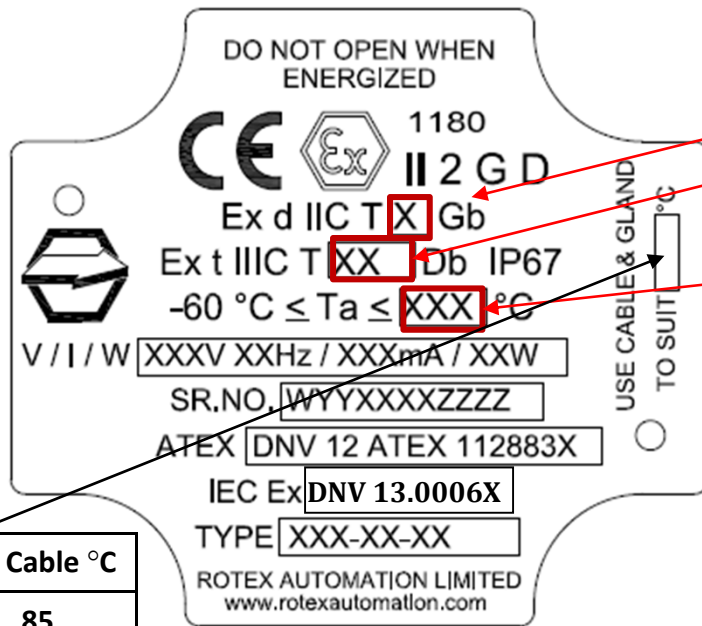
### Options :

Class H (All Sizes) : Insulation  
FR (II & III) : Fully Rectified  
LC (II & III) : Latch  
MR(II & III) : Manual Reset  
LW (II & III) : Low Watt



# BOTTOM CABLE ENTRY – Type - 87

## NAME PLATE DETAILS – for ATEX



Coil Size	Max. Power	Max. Ambient Temp. °C				Max. AC Voltage	Max. DC Voltage
		T6	T5	T4	T3		
III	5	65	80	100		240	256
	8	60	75	100		440	256
	15	50	65	100		240	256
II	8	65	80	100		240	256
	13	60	75	100		240	256
	20		45	80	100	240	256
	30			60	70	240	256
IV	5	70	85	100		240	256
	11	65	80	100		240	256

T – Class	T – Cable °C
T6	85
T5	100
T4	135
T3	150

Description	Without LED	
Ex d Junction Box for Solenoid power up to ≤ 20W.	Bottom Cable Entry (Type-87)	Ex II 2GD Ex d IIC T6 ~ T3 Gb Ex t IIIC T80 ~ T155 Db IP67 -60°C ≤ Tamb ≤ +100°C
Ex d Junction Box for Solenoid power for 30W.	Bottom Cable Entry (Type-87)	Ex II 2GD Ex d IIC T4 ~ T3 Gb Ex t IIIC T80 ~ T155 Db IP67 -60°C ≤ Tamb ≤ +70°C

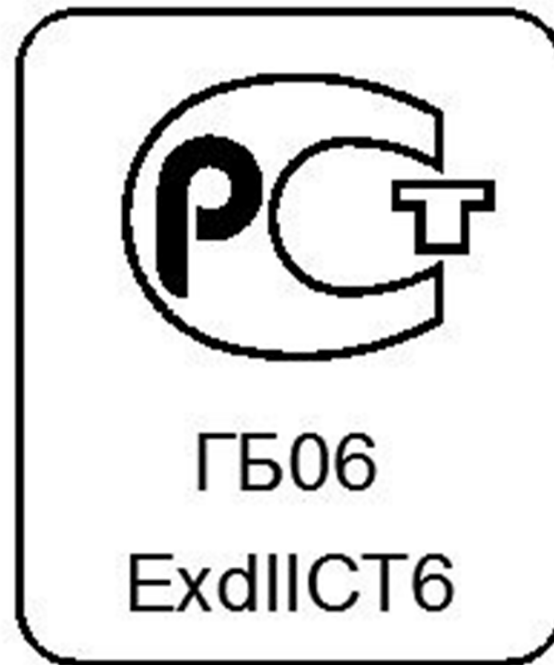
If requirement is 8 Watt, Size III then marking will be as follows.

e.g. i) Coil Size III, Power 8W  
Ex II2 GD Ex d IIC T6 Gb  
Ex t IIIC T80 Db IP67  
-60°C ≤ Ta ≤ 60°C

ii) Coil Size II, Power 30W  
Ex II2 GD Ex d IIC T3 Gb  
Ex t IIIC T155 Db IP67  
-60°C ≤ Ta ≤ 70°C

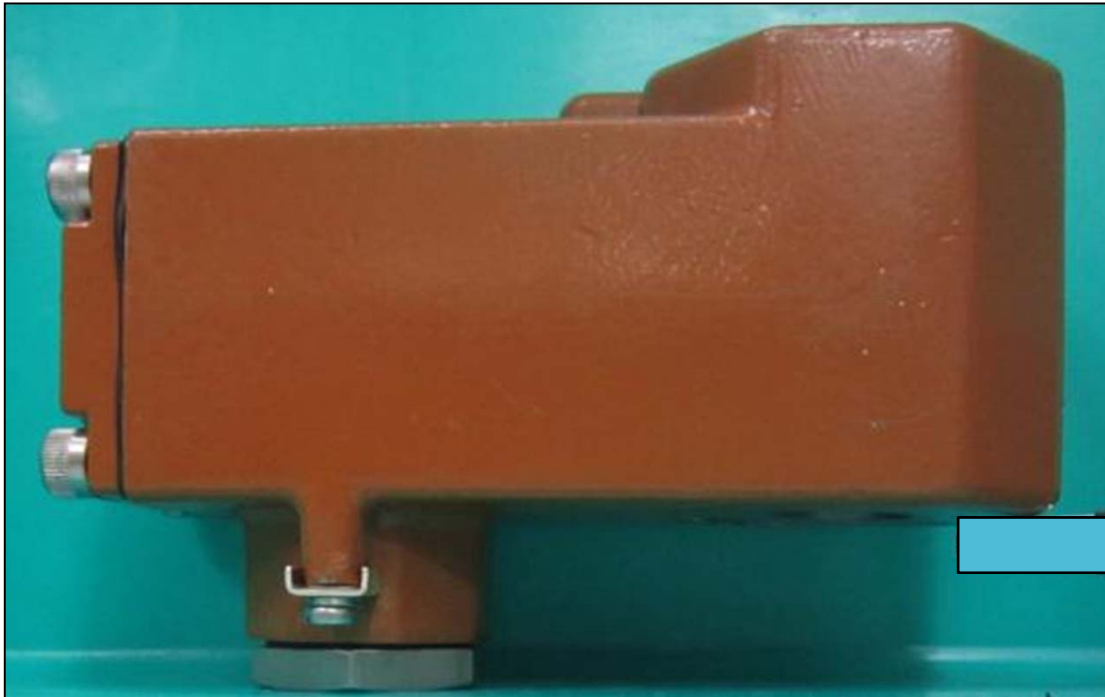


NAME PLATE DETAILS - GOST



# APPLICABILITY OF LED OPTION WRT POWER

COIL TYPE – 87 – LD



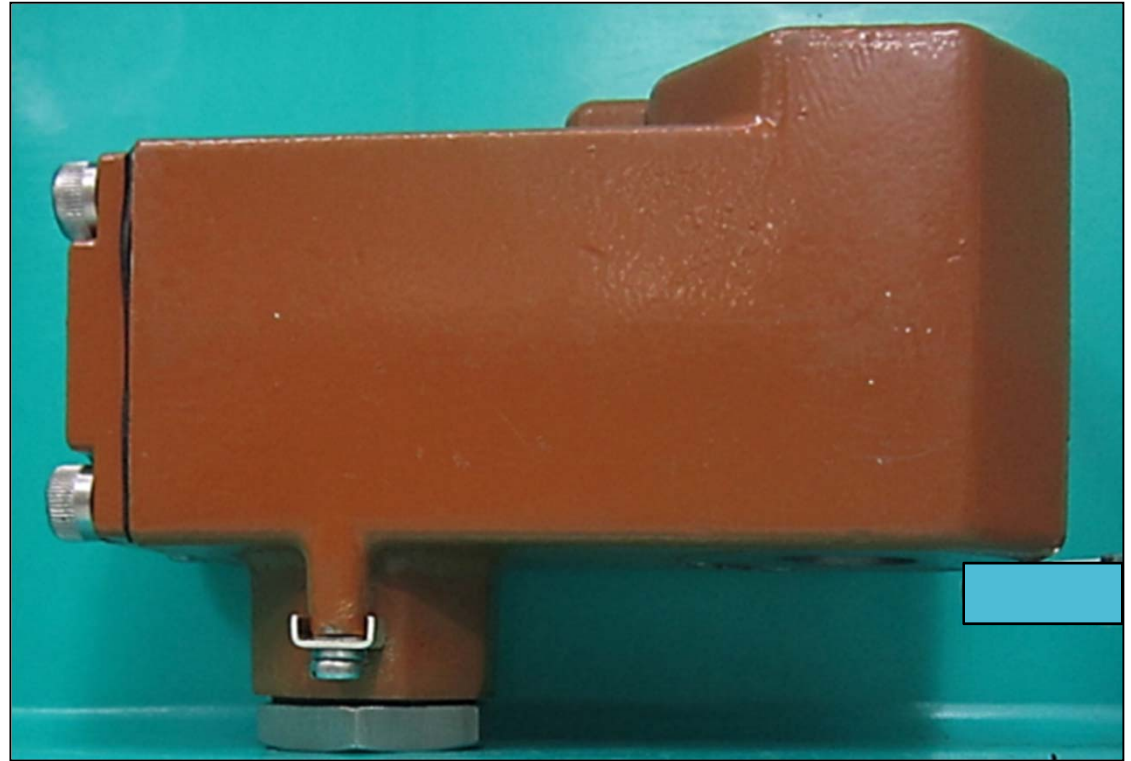
LED will be provided to the wattages indicated in the table. This is applicable to all sizes.

Voltages will be 6, 12, 24, 110, 230 AC / DC or DC.

Power in Watt	Ambient Temp. Range
≤ 2 W	- 25°C to 80°C
≤ 5 W	- 25°C to 65°C
≤ 8 W	- 25°C to 60°C
≤ 11 W	- 25°C to 60°C
≤ 15 W	- 25°C to 50°C
≤ 20 W	- 25°C to 40°C
≤ 30 W	- 25°C to 40°C

# INTRINSICALLY SAFE SOLENOID WITH CIRCUIT – Ex ia – TYPE- 62 & 66

APPROVALS	Certification Body
INDIAN	KLPL*
INDIAN	BIS*
INDIAN	CCOE*
INDIAN	DGMS*
1. ATEX	BASEEFA, UK
2. INMETRO*	CEPEL, BRASIL
3. GOST-R	CIS, THE NETHERLANDS
4. IEC Ex	BASEEFA, UK
5. GOST-K	CIS, THE NETHERLANDS
(* - Applied for)	



## INTRINSICALLY SAFE SOLENOID WITH CIRCUIT

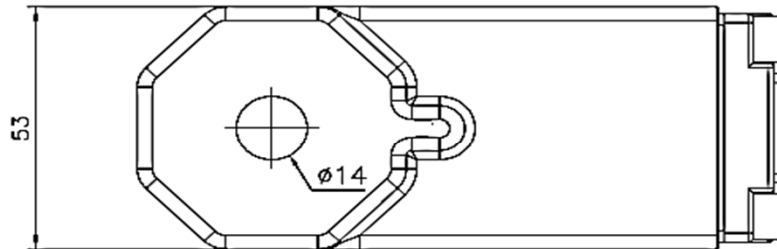
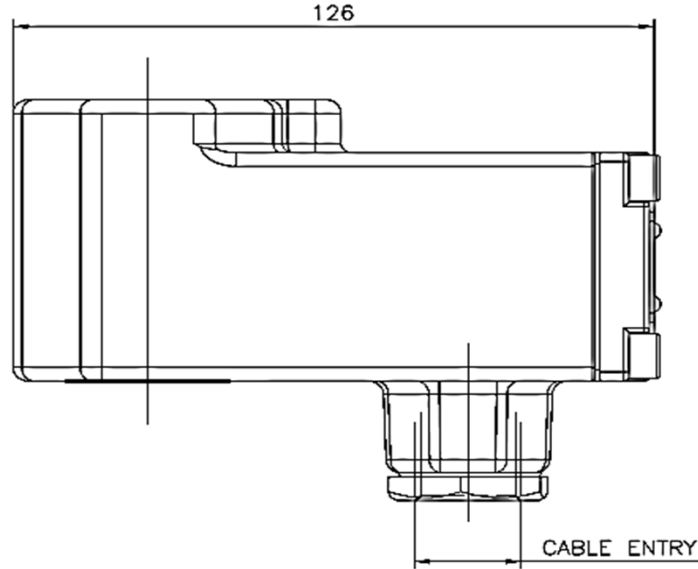
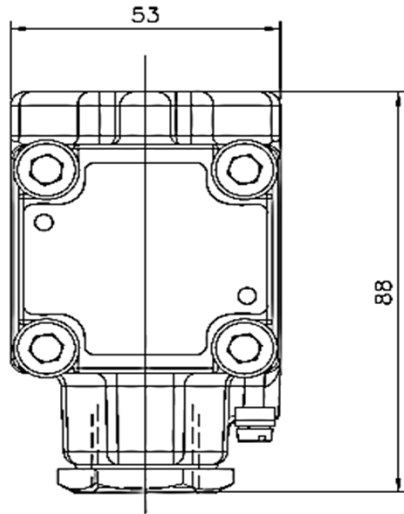
	Type-62 (Size – IV) - Code		Type-66 (Size-III) - Code	
Cable Entry	AL – Enclo.	SS – Enclo.	AL – Enclo.	SS – Enclo.
M25 X 1.5	62	62-C0	66	66-C0
1/ 2" NPT	62NS	62NS-CO	66NS	66NS-CO
M20 X 1.5	62MS	62MS-CO	66MS	66MS-CO
3/4" NPT	62NL	62NL-C0	66NL	66NL-CO

Entity Parameter	
Ui	32VDC
Ii	230mA
Pi	2.3W
Ci	0
Li	0

Options :  
Class H (All Sizes) : Insulation

# INTRINSICALLY SAFE SOLENOID WITH CIRCUIT – Ex ia – TYPE- 62, Size – IV, GA Drawing

NOTE- ALL DIMENSIONS ARE IN mm



AL	0.93 KG
S.S	1.35 KG

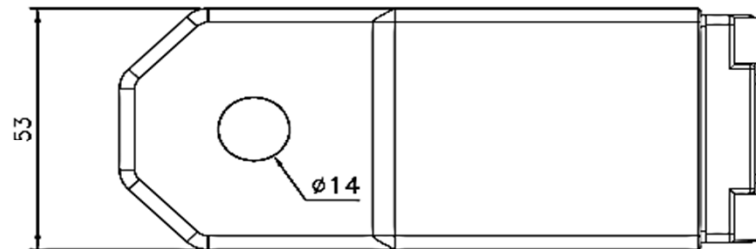
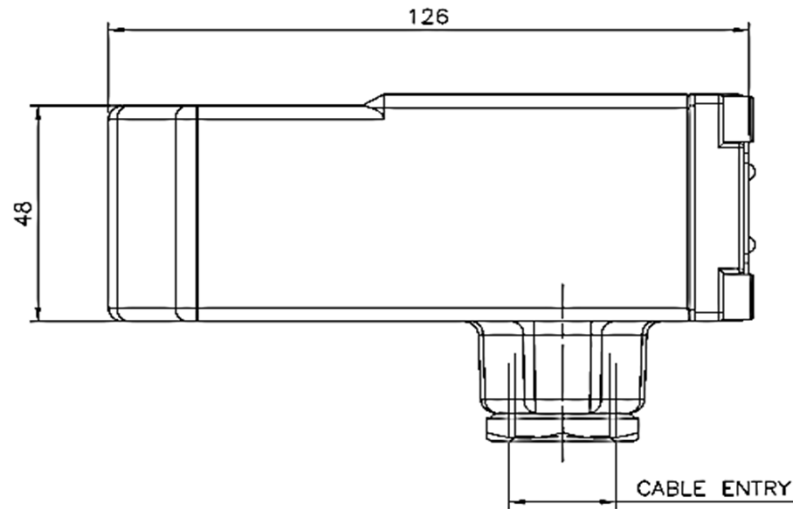
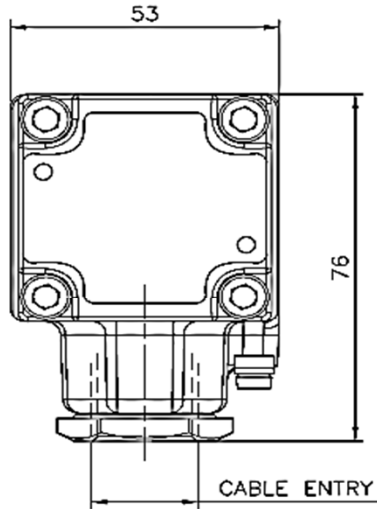
**SOLENOID TYPE-62 BCE SIZE IV**

DRN.	JCM	28.12.2012					SCALE :- NTS	
APPD.								
<b>ROTEX AUTOMATION LIMITED</b> 987/11, G.I.D.C., MAKARPURA, VADODARA-390010. (INDIA)							DRG.No. <b>609-B4</b>	
							REV.No.-	1 OF 1

n.t.m.±3

# INTRINSICALLY SAFE SOLENOID WITH CIRCUIT – Ex ia – TYPE- 66, Size – III GA Drawing

NOTE-- ALL DIMENSIONS ARE IN mm



AL	0.93 KG
S.S	1.35 KG

<b>SOLENOID TYPE-66 BCE SIZE III</b>					
DRN.	JCM	28.12.2012			SCALE :- NTS
APPD.					
<b>ROTEX AUTOMATION LIMITED</b> 987/11, G.I.D.C., MAKARPURA, VADODARA-390010. (INDIA)				DRG.No.	<b>610-B3</b>
				REV.No.-	1 OF 1

n.t.m.±3

### RESPONSE ON TIME

Voltage	9.4 VDC	9.5 VDC	10 VDC	10.5 VDC	11 VDC	11.5 VDC	12 VDC	12.5 VDC	13 VDC	13.5 VDC	14 VDC	14.5 VDC
Time in Sec.	< 2.5	< 2.3	2.6	< 1.7	< 1.5	< 1.3	< 1.2	< 1.0	< 0.9	< 0.8	< 0.7	< 0.5

**RESPONSE OFF TIME : 10 mS to 20mS.**


### MINIMUM OPERATING PARAMETER


Operating Parameter	IS Coil with circuit (Size – III) Coil Code : 66	IS Coil with circuit (Size – IV) Coil Code : 62
Minimum Voltage	<b>11 Volt</b>	<b>14 Volt</b>
Minimum Current	20 mA	25 mA
Minimum Power	0.22 Watt	0.35 Watt
Valve Type	2XXXX, 3XXXX, 5XXXX, 3XXX, VB (except 30308, 30334, 30138, 30318 etc.)	30308, 30318, 30334, 30138 & any equivalent design type.

## NAME PLATE DETAILS ATEX & IECEX



### In-Case of SS - Enclosure

### In-Case of AL - Enclosure


  
 ROTEX AUTOMATION LIMITED  
 www.rotexautomation.com


○ Ex ia IIC T5, Ga (-60°C ≤ Ta ≤ 75°C)   
 Ex ia IIC T6, Ga (-60°C ≤ Ta ≤ 60°C)  
 Ex ia IIIC T<sub>200</sub> 125°C IP67 Da (-60°C ≤ Ta ≤ 75°C)  
 Ex ia I Ma (-60°C ≤ Ta ≤ 75°C)

V / I / W   
 SR.NO.



 1180  II 1GD  
 I M1

TYPE   
 IECEX BAS 12.0128X  
 Baseefa12ATEX0243X

  
 ROTEX AUTOMATION LIMITED  
 www.rotexautomation.com

○ Ex ia IIC T5, Ga (-60°C ≤ Ta ≤ 75°C)   
 Ex ia IIC T6, Ga (-60°C ≤ Ta ≤ 60°C)  
 Ex ia IIIC T<sub>200</sub> 125°C IP67 Da (-60°C ≤ Ta ≤ 75°C)

V / I / W   
 SR.NO.

 1180  II 1GD

TYPE   
 IECEX BAS 12.0128X  
 Baseefa12ATEX0243X



# LOW POWER INTRINSICALLY SAFE SOLENOID – Ex ia – TYPE- 67 & 67L

APPROVALS	Certification Body
INDIAN	KLPL*
INDIAN	BIS*
INDIAN	CCOE*
INDIAN	DGMS*
1. ATEX	BASEEFA, UK
2. INMETRO*	CEPEL, BRASIL
3. GOST-R	CIS, THE NETHERLANDS
4. IEC Ex	BASEEFA, UK
5. GOST-K	CIS, THE NETHERLANDS
(* - Applied for)	



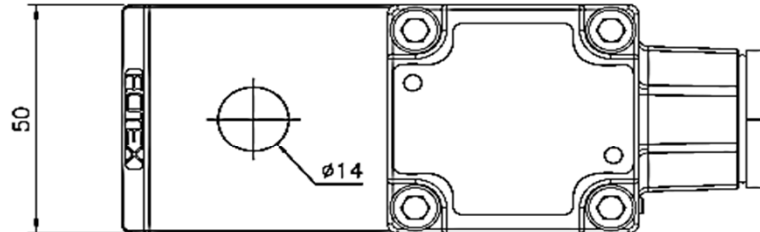
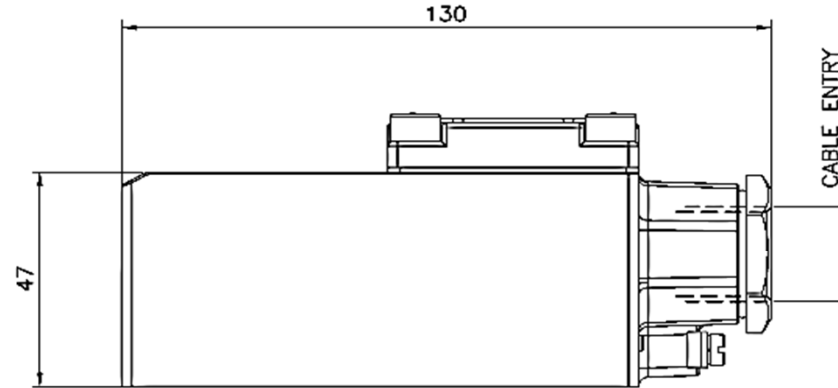
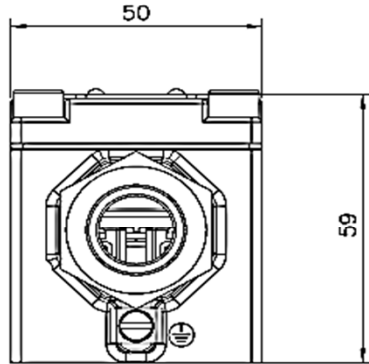
Entity Parameter	
Ui	32VDC
Ii	230mA
Pi	2.3W
Ci	0
Li	0

Options :  
Class H (All Sizes) :  
Insulation

LOW POWER INTRINSICALLY SAFE SOLENOID				
	Type-67 (Size-III) - Code		Type-67L (Size-IV) - Code	
Cable Entry	AL – Enclo.	SS – Encl.	AL – Enclo.	SS – Encl.
M25 X 1.5	67	67-C0	67L	67L-C0
1/ 2" NPT	67NS	67NS-CO	67LNS	67LNS-CO
M20 X 1.5	67MS	67MS-CO	67LMS	67LMS-CO
3/4" NPT	67NL	67NL-CO	67LNL	67LNL-CO

# LOW POWER INTRINSICALLY SAFE SOLENOID – Ex ia – TYPE- 67, Size – III GA Drawing

NOTE – ALL DIMENSIONS ARE IN mm



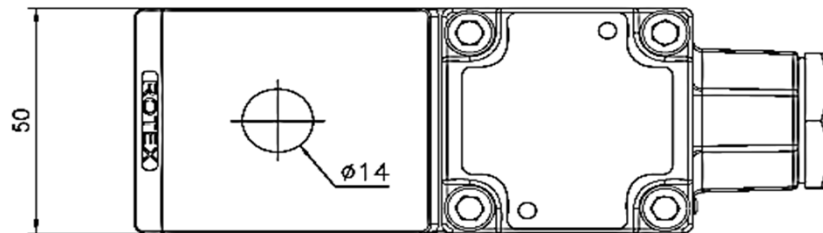
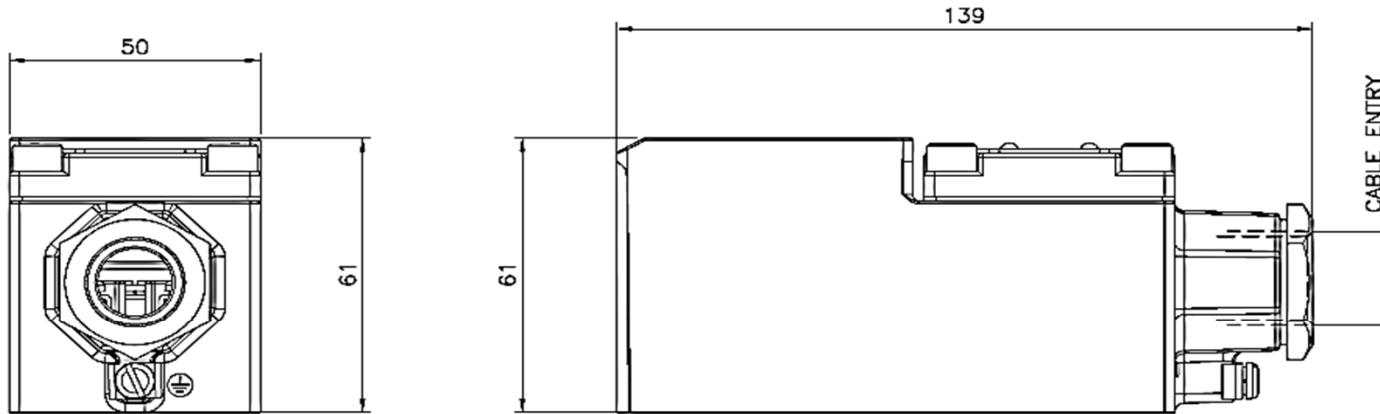
AL	0.62 KG
S.S	1.45 KG

<b>SOLENOID TYPE-67 HCE SIZE III</b>						
DRN.	JCM	28.12.2012				SCALE :- NTS
APPD.						
<b>ROTEX AUTOMATION LIMITED</b> 987/11, G.I.D.C., MAKARPURA, VADODARA-390010. (INDIA)					DRG.No.	<b>612-H3</b>
					REV.No.-	

n.t.m.±3

# LOW POWER INTRINSICALLY SAFE SOLENOID – Ex ia – TYPE- 67L, Size – IV GA Drawing

NOTE- ALL DIMENSIONS ARE IN mm



AL	0.62 KG
S.S	1.45 KG

### SOLENOID TYPE-67L HCE SIZE IV

DRN.	JCM	28.12.2012					SCALE :- NTS
APPD.							

ROTEX AUTOMATION LIMITED  
987/11, G.I.D.C., MAKARPURA,  
VADODARA-390010, (INDIA)

DRG.No.	611-H4
REV.No.-	1 OF 1

n.t.m.±3

# LOW POWER INTRINSICALLY SAFE SOLENOID

## Ex ia – TYPE- & 67 & 67L, Size – III & IV

### MINIMUM OPERATING PARAMETER

Valve Code	Max. Pressure	Operating Parameter	Low Power IS (Size – III) Coil Code : 67	Low Power IS (Size – IV) Coil Code : 67L
I3XXX & I5XXX	8 bar	Minimum Voltage	10.5 V	Will inform you later on.
		Minimum Current	18 mA	
		Minimum Power	0.190 W	
I3XXXEP & I5XXXEP	11 bar	Minimum Voltage	14 V	Will inform you later on.
		Minimum Current	25 mA	
		Minimum Power	0.350 W	
Response ON Time : 50 milli Sec				
Response OFF Time : 30 milli Sec				

## NAME PLATE DETAILS ATEX & IECEX

### In-Case of SS - Enclosure


NNNNNNNNNN

ROTEX AUTOMATION LIMITED  
www.rotexautomation.com

Ex ia IIC T5, Ga (-60°C ≤ Ta ≤ 75°C)  
 Ex ia IIC T6, Ga (-60°C ≤ Ta ≤ 60°C)  
 Ex ia III C T<sub>200</sub> 125°C IP67 Da (-60°C ≤ Ta ≤ 75°C)  
 Ex ia I Ma (-60°C ≤ Ta ≤ 75°C)

V / I / W Ui=32V/Ii=230mA/Pi=2.3W/Ci=0/Li=0

SR.NO. WYYXXXXXXXXXZZZ

**CE**  II 1GD 1180

I M1

TYPE XXX-XX-XX

IECEx BAS 12.0128X  
Baseefa12ATEX0243X

### In-Case of AL - Enclosure


NNNNNNNNNN

ROTEX AUTOMATION LIMITED  
www.rotexautomation.com

Ex ia IIC T5, Ga (-60°C ≤ Ta ≤ 75°C)  
 Ex ia IIC T6, Ga (-60°C ≤ Ta ≤ 60°C)  
 Ex ia III C T<sub>200</sub> 125°C IP67 Da (-60°C ≤ Ta ≤ 75°C)

V / I / W Ui=32V/Ii=230mA/Pi=2.3W/Ci=0/Li=0

SR.NO. WYYXXXXXXXXXZZZ

**CE**  II 1GD 1180

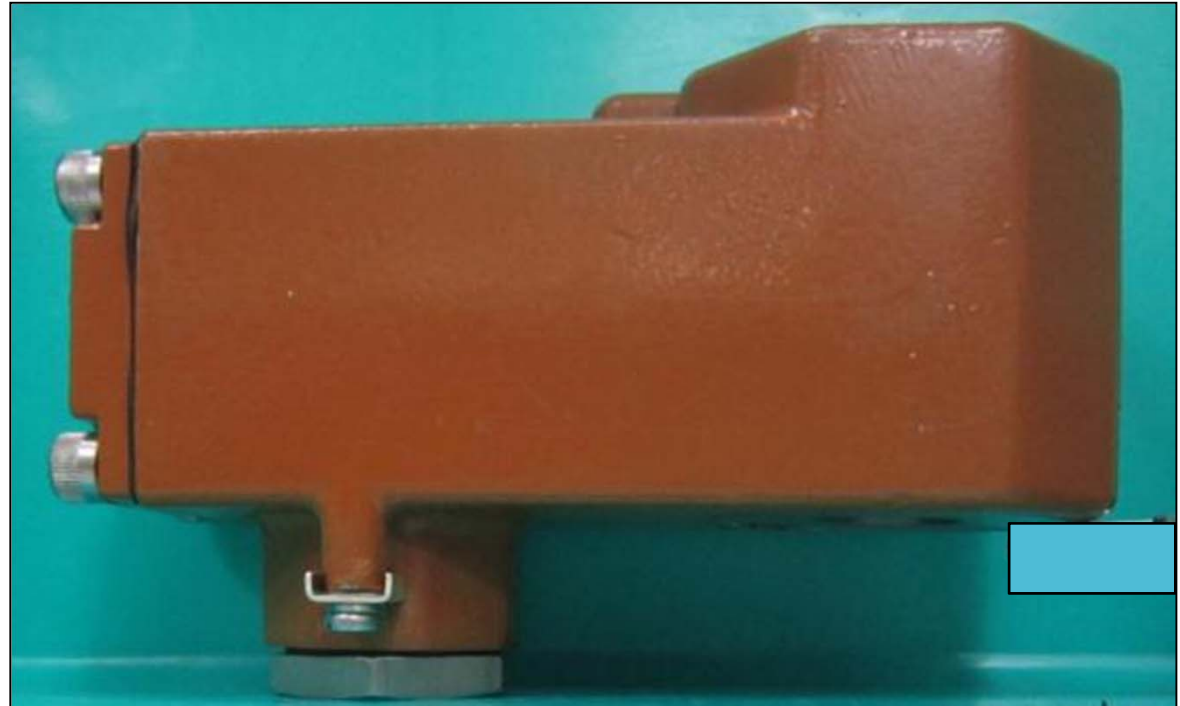
I M1

TYPE XXX-XX-XX

IECEx BAS 12.0128X  
Baseefa12ATEX0243X

# LOW POWER INTRINSICALLY SAFE SOLENOID – Ex ia – TYPE- 71 & 71L

APPROVALS	Certification Body
INDIAN	KLPL*
INDIAN	BIS*
INDIAN	CCOE*
INDIAN	DGMS*
1. ATEX	BASEEFA, UK
2. INMETRO*	CEPEL, BRASIL
3. GOST-R	CIS, THE NETHERLANDS
4. IEC Ex	BASEEFA, UK
5. GOST-K	CIS, THE NETHERLANDS
(* - Applied for)	



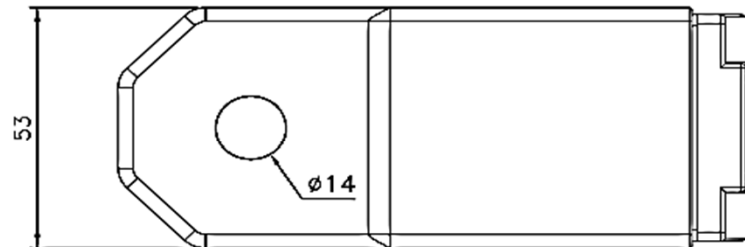
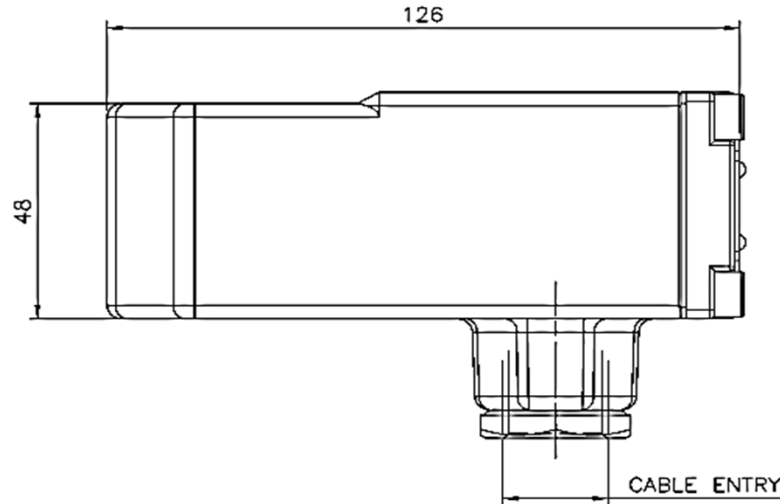
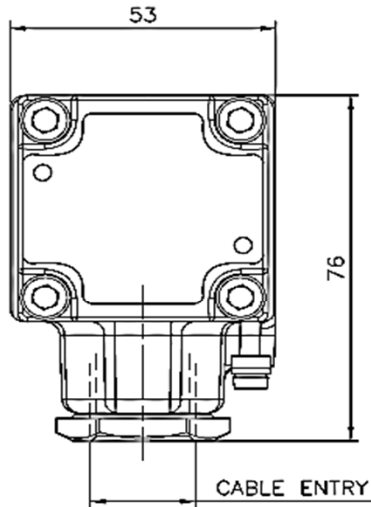
Entity Parameter	
Ui	32VDC
Ii	230mA
Pi	2.3W
Ci	0
Li	0

Options :  
Class H (All Sizes) :  
Insulation

LOW POWER INTRINSICALLY SAFE SOLENOID				
	Type-71 (Size-III) - Code		Type-71L (Size-IV) - Code	
Cable Entry	AL – Enclo.	SS - Enclosure	AL – Enclo.	SS - Enclosure
M25 X 1.5	71	71-C0	71L	71L-C0
1/ 2 " NPT	71NS	71NS-CO	71LNS	71LNS-CO
M20 X 1.5	71MS	71MS-CO	71LMS	71LMS-CO
3/4 " NPT	71NL	71NL-CO	71LNL	71LNL-CO

# LOW POWER INTRINSICALLY SAFE SOLENOID – Ex ia – TYPE- 71, Size – III GA Drawing

NOTE- ALL DIMENSIONS ARE IN mm



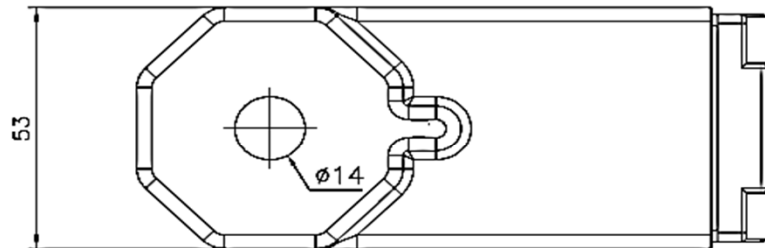
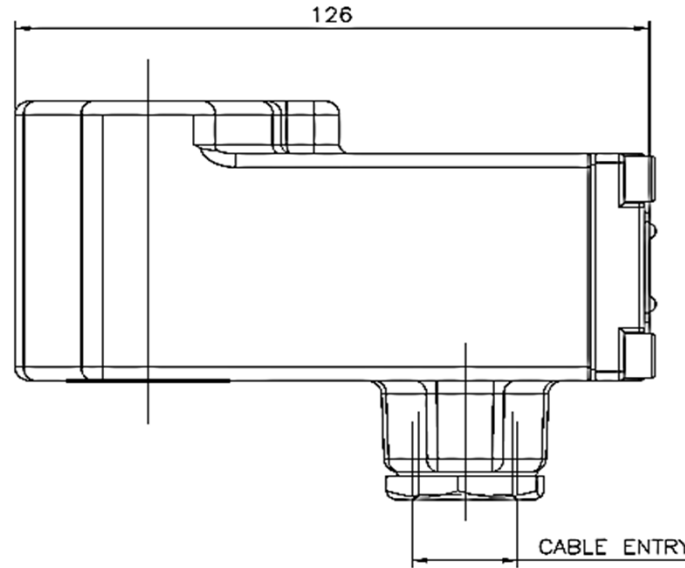
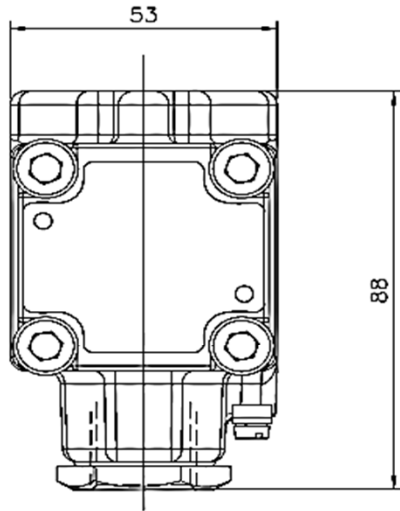
AL	0.93 KG
S.S	1.35 KG

<b>SOLENOID TYPE-71 BCE SIZE III</b>					
DRN.	JCM	28.12.2012			SCALE :- NTS
APPD.					
<b>ROTEX AUTOMATION LIMITED</b> 987/11, G.I.D.C., MAKARPURA, VADODARA-390010. (INDIA)				DRG.No.	<b>610-B3</b>
n.t.m.±3				REV.No.-	1 OF 1



# LOW POWER INTRINSICALLY SAFE SOLENOID – Ex ia – TYPE- 71L, Size – IV GA Drawing

NOTE- ALL DIMENSIONS ARE IN mm



AL	0.93 KG
S.S	1.35 KG

### SOLENOID TYPE-71L BCE SIZE IV

DRN.	JCM	28.12.2012					SCALE :- NTS
APPD.							

n.t.m.±3

**ROTEX AUTOMATION LIMITED**  
987/11, G.I.D.C., MAKARPURA,  
VADODARA-390010. (INDIA)

DRG.No.	<b>609-B4</b>
REV.No.-	1 OF 1

# LOW POWER INTRINSICALLY SAFE SOLENOID – Ex ia – TYPE- & 71 & 71L, Size – III & IV MINIMUM OPERATING PARAMETER

Valve Code	Max. Pressure	Operating Parameter	Low Power IS (Size – III) Coil Code : 67	Low Power IS (Size – IV) Coil Code : 67L
I3XXX & I5XXX	8 bar	Minimum Voltage	10.5 V	Will inform you later on.
		Minimum Current	18 mA	
		Minimum Power	0.190 W	
I3XXXEP & I5XXXEP	11 bar	Minimum Voltage	14 V	Will inform you later on.
		Minimum Current	25 mA	
		Minimum Power	0.350 W	
Response ON Time : 50 milli Sec				
Response OFF Time : 30 milli Sec				


Rev.3 Dt. 10.1.2014

## NAME PLATE DETAILS ATEX & IECEX

### In-Case of SS - Enclosure


NNNNNNNNNN

ROTEX AUTOMATION LIMITED  
www.rotexautomation.com

○ Ex ia IIC T5, Ga (-60°C ≤ Ta ≤ 75°C)   
 Ex ia IIC T6, Ga (-60°C ≤ Ta ≤ 60°C)  
 Ex ia IIIC T<sub>200</sub> 125°C IP67 Da (-60°C ≤ Ta ≤ 75°C)  
 Ex ia I Ma (-60°C ≤ Ta ≤ 75°C)

V / I / W

SR.NO.

**CE** 1180  II 1GD  
I M1


TYPE

IECEX BAS 12.0128X  
Baseefa12ATEX0243X

### In-Case of AL - Enclosure


NNNNNNNNNN

ROTEX AUTOMATION LIMITED  
www.rotexautomation.com

○ Ex ia IIC T5, Ga (-60°C ≤ Ta ≤ 75°C)   
 Ex ia IIC T6, Ga (-60°C ≤ Ta ≤ 60°C)  
 Ex ia IIIC T<sub>200</sub> 125°C IP67 Da (-60°C ≤ Ta ≤ 75°C)

V / I / W

SR.NO.

**CE** 1180  II 1GD

TYPE

IECEX BAS 12.0128X  
Baseefa12ATEX0243X

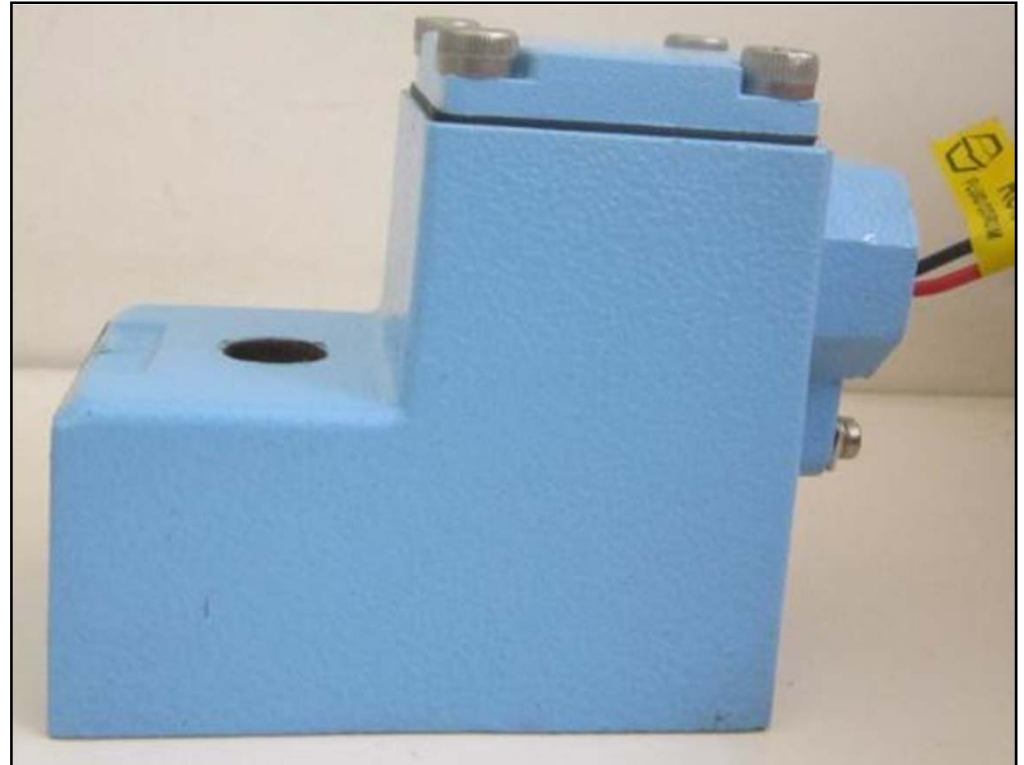
## APPROVALS



INDIAN  
KLPL  
BIS  
CCOE  
DGMS

## Entity Parameter

U <sub>i</sub>	32VDC	28VDC	24VDC
I <sub>i</sub>	80mA	120ma	170ma
P <sub>i</sub>	0.75W		
C <sub>i</sub>	0		
L <sub>i</sub>	0		



***Important Note:***  
***Please select Coil Type-66 for ATEX, GOST-R, GOST-K, IN-METRO approval.***

**APPROVALS**

INDIAN  
KLPL  
BIS  
CCOE  
DGMS

Entity Parameter	
Ui	≤ 32VDC
Ii	≤ 75mA
Pi	0.75W
Ci	0
Li	0



**LOW POWER INTRINSICALLY SAFE  
SOLENOID WITH ENCLOSURE Exd - AL**

	Type-72- Code	Type-73 - Code
Cable Entry	AL – Enclo.	AL – Enclo.
1/ 2" NPT (F)	72	-----
M20 X 1.5 (F)	-----	73



**Important Note:**

Please select Coil Type-67 for ATEX, GOST-R, GOST-K, IN-METRO, IECEX approval.

### APPROVALS

INDIAN  
KLPL  
BIS  
CCOE  
DGMS

Coil Code	Marking
65CR	<p>Ex I M1, EEx ia IIC T6, IP67 (-40°C ≤ Ta ≤ + 70°C)</p> <p>or</p> <p>Ex II 1GD, EEx ia d IIC T6, IP67 (-40°C ≤ Ta ≤ + 70°C)</p>

### Options :

Class H (All Sizes) : Insulation  
FR (II & III) : Fully Rectified  
MR(II & III) : Manual Reset  
LW (II & III) : Low Watt



### LOW POWER INTRINSICALLY SAFE SOLENOID WITH PLUG IN ENCLOSURE

Cable Entry	Type
Pg9	65CR

Rev.3 Dt. 10.1.2014



## APPROVALS



1. ATEX - **DNV, NORWAY**

## Options :

Class H (All Sizes) : Insulation

## FLYING LEAD DUAL COIL- Ex md

	With LED	Without LED
AL - Enclosure	61 - 01	60 -01
SS - Enclosure	61-CO-01	60-CO-01





## NAME PLATE DETAILS ATEX

**ROTEX** VADODARA-390 010 INDIA  
www.rotexindia.com

**Ex mD A21 IP67**  
**T135°C**  
 $-20\text{ °C} \leq T_{\text{amb}} \leq +70\text{ °C}$   
DNV-2009-OSL- ATEX-48559X

**1180**

**CE** **Ex** (Ex) II 2 GD Ex mb II T135°C

(WITH LED)

**ROTEX** VADODARA-390 010 INDIA  
www.rotexindia.com

**Ex mD A21 IP67**  
**T135°C**  
 $-20\text{ °C} \leq T_{\text{amb}} \leq +70\text{ °C}$   
DNV-2009-OSL- ATEX-48559X

**1180**

**CE** **Ex** (Ex) II 2 GD Ex mb II T135°C

(WITHOUT LED)

**ROTEX** VADODARA-390 010 INDIA  
www.rotexindia.com

**Ex mD A21 IP67**  
**T135°C**  
 $-20\text{ °C} \leq T_{\text{amb}} \leq +70\text{ °C}$   
DNV-2009-OSL- ATEX-48559X

**1180**

**CE** **Ex** (Ex) II 2 GD Ex mb II T135°C

(WITH LED)